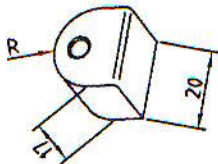


# Mounting Instruction

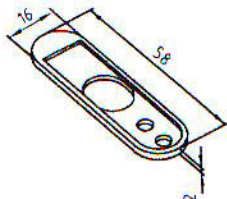
The housing of the cable transfer is to be fixed into the fold and screwed on moveable parts (i.e. windows or doors). After the cable is pulled through the transfer, an easy handling is guaranteed. Made of chrome-plated steel with high robustness - tamper-proof.

Using the radius rear support and the radius washer when mounting the cable transfer, you don't need a ripping chisel to drill the chamber. Therefore the mounting becomes very much easier and less time consuming. Just drill a deep-hole (as described in the guidelines), fix the mounting parts and the concealed cable transfer into the chamber and screw it on.

- Measurements: W x H x D = 20 x 382 x 15 mm
- For doors with up to 18 mm pivot and aperture up to 180°
- Flexible length of spring: 241 mm



Pic. 1 Radius rear support



Pic. 2 Radius washer



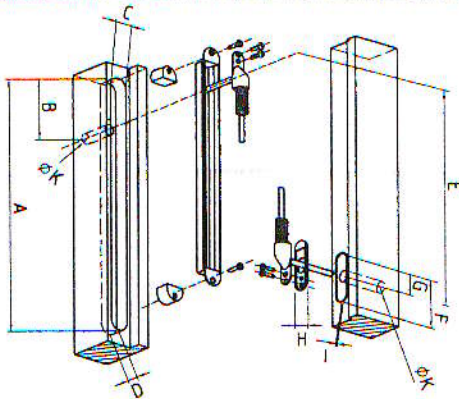
## Delivery Volume

- 1 piece housing
- 1 piece spring
- 12 pieces V2A-mounting screws
- 4 pieces washers
- 2 pieces radius rear support (only delivered at complete order)
- 1 piece radius washer (only delivered at complete order)

Valid from: 01/09 Subject to Technical Alterations

## Mounting Instruction Concealed Cable Transfer M 11 88

## Drawing for Mounting



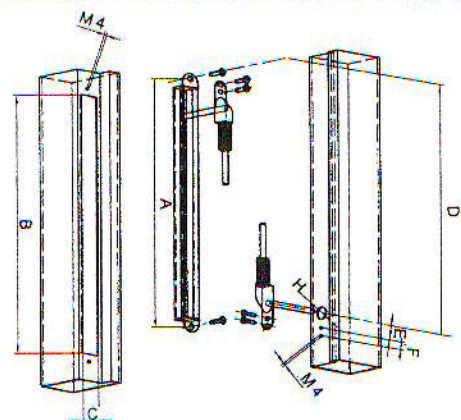
Pic. 3 Mounting in wood

Part	Length
A	382 mm
B	48 mm
C	20 mm
D	18 mm
E	281 mm
F	58 mm
G	28,5 mm
H	16 mm
I	2 mm
K	ø 12 mm

**Important Notes:**  
Due to the wide range of different types of profiles available on the market, it is not possible to give any generally applicable indication of the mounting location. The configuration and the dimensions of profiles vary considerably. This mounting instruction provides important information for planning your installation and during the fitting.

Please leave a cable loop of at least 30 mm length at the cable inlet of the bracket or the bowl in order to permit sufficient length to be fed out when the door is opened. When routing the cable, make sure that it is able to feed out unhindered and does not get stuck in the frame or door profile.

## Drawing for Mounting



Pic. 4 Mounting in steel

Part	Length
A	370 mm
B	347 mm
C	20 mm
D	323 mm
E	16 mm
F	8 mm
H	ø 12 mm