

Application

- The AEROVITAL ambience is a wall-mounted ventilator with supply air and exhaust air function, heat recovery and temperature/ humidity sensor.
- The AEROVITAL ambience smart is a wall-mounted ventilator with supply air and exhaust air function, heat recovery, a temperature/ humidity sensor, an air quality sensor and it can also be controlled via the SIEGENIA Comfort app¹.

Function

- The low-noise AEROVITAL ambience provides controlled and energy-saving indoor ventilation.
- An electrically operated blower draws in and filters fresh air from the outside. This air is pre-heated and released inside. Stale indoor air is filtered and released outside.

Unit properties

- Very good sound absorption of ≥ 54 dB
- Low internal noise
- Heat recovery up to 85%
- Summer / winter mode (bypass function)
- Filters pollen and dust
- Blower has 5 setting levels
- Automatic temperature and humidity control
- Control via panel on unit
- Manual or automatic control
- AEROVITAL ambience smart:
 - Air quality sensor
 - Simple operation via smartphone or tablet using the SIEGENIA Comfort app¹
 - Continuous control of the air throughput
 - Up to 5 timers programmable
 - Freely selectable mode of operation
 - Silent mode
 - Display of temperature, relative air humidity, air quality, filter change

¹⁾ Notes on compatibility at www.siegenia.com/qr/comfort-app/faq

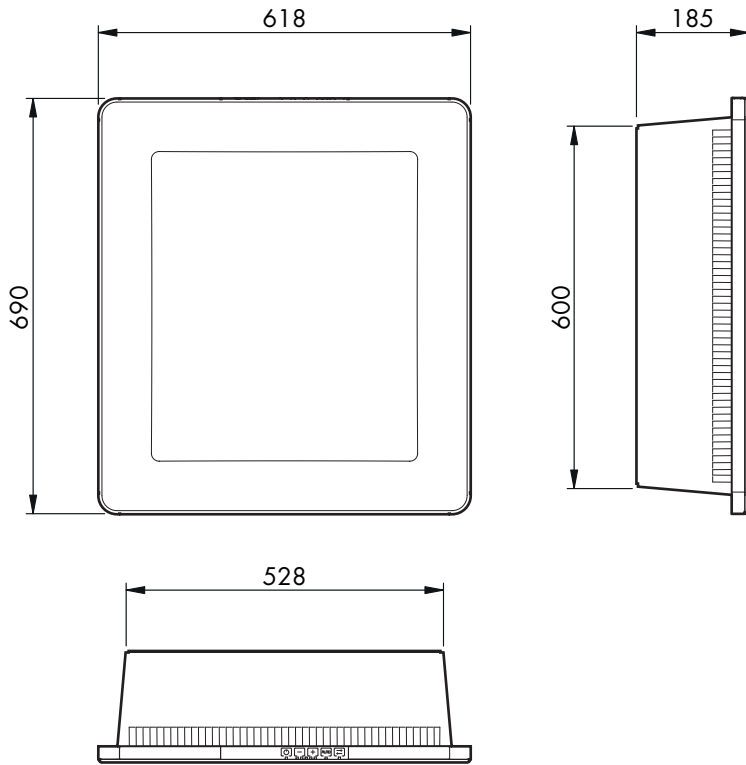
Technical specifications

	AEROVITAL ambience	AEROVITAL ambience smart
Inherent noise (measured according to EN ISO 3741 with room insulation of 8 dB)	Level 1 $L_{PA} = 20$ dB (A) Level 2 $L_{PA} = 22$ dB (A) Level 3 $L_{PA} = 25$ dB (A) Level 4 $L_{PA} = 30$ dB (A) Level 5 $L_{PA} = 31$ dB (A)	Level 1 $L_{PA} = 20$ dB (A) Level 2 $L_{PA} = 22$ dB (A) Level 3 $L_{PA} = 25$ dB (A) Level 4 $L_{PA} = 30$ dB (A) Level 5 $L_{PA} = 31$ dB (A)
Air throughput	Level 1 25 m ³ /h Level 2 30 m ³ /h Level 3 42 m ³ /h Level 4 55 m ³ /h Level 5 60 m ³ /h	Level 1 25 m ³ /h Level 2 30 m ³ /h Level 3 42 m ³ /h Level 4 55 m ³ /h Level 5 60 m ³ /h
Power consumption (normal operating mode)	Level 1 6 W Level 2 7 W Level 3 8 W Level 4 11 W Level 5 12 W	Level 1 6 W Level 2 6 W Level 3 8 W Level 4 11 W Level 5 12 W
Heat recovery efficiency (in accordance with DiBT)	up to 85 %	up to 85 %
Sound absorption (in accordance with DIN EN 10140-2)	$D_{n,e,w} = 54$ dB	$D_{n,e,w} = 54$ dB
Sound absorption thanks to sound absorption pipe (measured according to DIN EN 10140-2)	$D_{n,e,w} = 58$ dB	$D_{n,e,w} = 58$ dB
Electrical connection	230 V AC / 0.06 A	230 V AC / 0.06 A
Protection class	II	II
Weight	24 kg	24 kg
Fresh air filters (supply air and exhaust air filters)	Filter grade M5	Filter grade M5
Admissible utilisation temperature	-15 °C to +40 °C	-15 °C to +40 °C
Technical approval	Z-51.3-403	Z-51.3-403

Product fiche (in accordance with EU
Regulation 1254/2014)

a	Manufacturer	SIEGENIA	SIEGENIA
b	Model identification	AEROVITAL ambience	AEROVITAL ambience smart
c	Energy consumption (SEV); Energy efficiency class (SEV class) (according to climatic zone warm / average / cold)	– 16.82 kWh/(m ² · a); E – 41.52 kWh/(m ² · a); A – 84.64 kWh/(m ² · a); A+	– 17.72 kWh/(m ² · a); E – 42.42 kWh/(m ² · a); A+ – 85.53 kWh/(m ² · a); A+
d	Type	WLA / ZLA	WLA / ZLA
e	Type of drive	Multi-stage control	Rotational speed control
f	Heat recovery system	regenerative	regenerative
g	Degree of temperature change	83 %	83 %
h	Highest air flow rate	60 m ³ /h	60 m ³ /h
i	Electrical input power	12.0 W	11.8 W
j	Noise level	33 dB (A)	33 dB (A)
k	Relative air flow rate	42 m ³ /h	42 m ³ /h
l	Relative pressure differential	—	—
m	Specific input power	0.20 W/(m ³ /h)	0.20 W/(m ³ /h)
n	Control factor / control typology	1.21 / 0.65	1.21 / 0.65
o	Highest degree of inner and outer leakage rate (inner / outer leakage)	0.0 % / 3.6 %	0.0 % / 3.6 %
p	Mix rate (inner area / outer area)	0.0 % / 0.0 %	0.0 % / 0.0 %
q	Instructions for replacing filter	see operating instructions H47.WANS007EN	see operating instructions H47.WANS007EN
r	Instructions for the mounting of outside air / exhaust air grilles (for one-directional ventilation units)	—	—
s	Instructions for dismantling	—	—
t	Pressure fluctuation sensitivity of the air flow (at +20 Pa and –20 Pa)	20 % / 23 %	20 % / 23 %
u	Air tightness between inside and outside	2.6 m ³ /h / 2.6 m ³ /h	2.6 m ³ /h / 2.6 m ³ /h
v	Annual power consumption	1.427 kWh/a	1.067 kWh/a
w	Annual saving of heating energy (according to climatic zone warm / average / cold)	20.39 kWh/a 45.09 kWh/a 88.20 kWh/a	20.39 kWh/a 45.09 kWh/a 88.20 kWh/a

Dimensions



Spare parts and accessories

Material description	Material number	Content
Filter set	L5133000-093010	1x supply air filter M5 2x exhaust air filter M5
Filter set NOx filter F7 (for pollen / fine dust / nitrogen dioxide)	L5133010-099010	1x supply air filter NOx F7 2x exhaust air filter M5
Stainless steel weather grille hood	L5477020-000010	1x stainless steel weather grille hood
Vent duct EPP (Sound absorption $D_{n,e,w}$ up to 63 dB)	For detailed information, see technical data sheet H40.WANS019EN	

