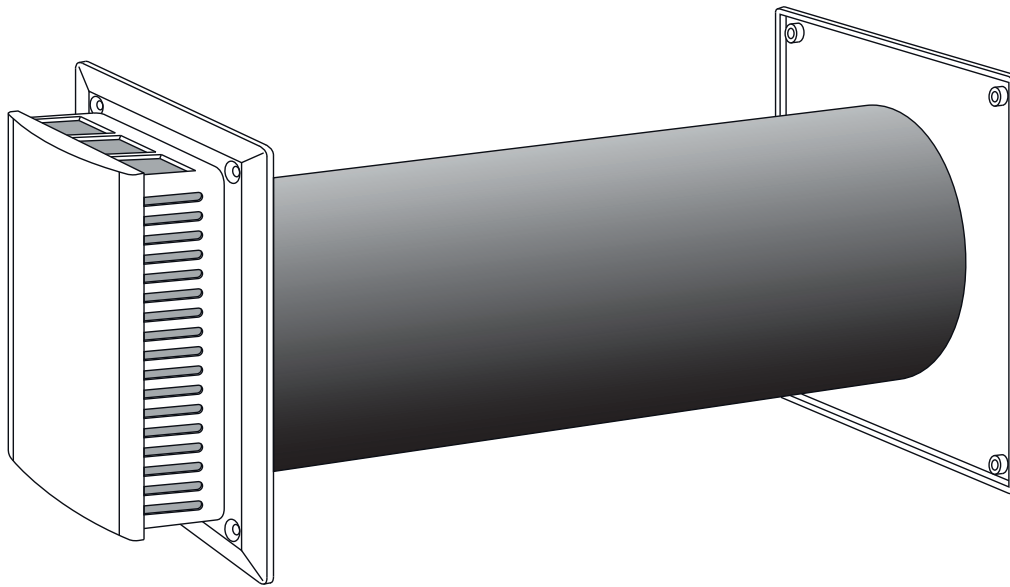


### Wall Ventilator with Sound Absorption



#### Use

- External air outlet for fresh air supply. For installation in external walls.
- For private houses, multi-storey residential buildings and office buildings.
- Suitable for new build and renovation.
- With sound absorbing pipe, making it particularly suitable for living rooms and bedrooms.

#### Function

- The ventilator works as a result of the pressure difference between outside and inside air (pressure differential).
- Filtered fresh air is drawn into living rooms, bedrooms and children's rooms, as well as offices and meeting/recreation rooms via the AEROCUBE.
- The specially designed outlet ports and the adjustable air flow limiter provide enhanced comfort and convenience.
- Outside air filtered by a G2-Filter.

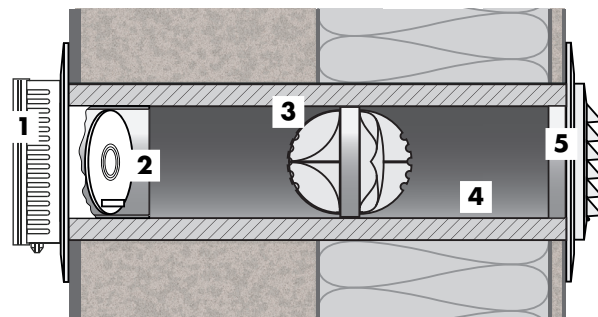
Technical Data

AEROCUBE		Technical Data	Casing Dimensions
Volumetric air flow	at 2 Pa	14 m <sup>3</sup> /h	
	at 4 Pa	20 m <sup>3</sup> /h	
	at 8 Pa	29 m <sup>3</sup> /h	
	at 10 Pa	32 m <sup>3</sup> /h	
Sound absorption D <sub>n,e,w</sub>	L=500mm	51 dB	
	L=400mm	48 dB	
	L=300mm	45 dB	
Material		PVC ABS	

Installation

Wall opening                      Ø 150 mm  
 Maximum wall thickness      500 mm

- Filter casing with filter G2      **1**
- Adjustable air flow limiter      **2**
- Wind pressure barrier            **3**
- Sound absorption pipe          **4**
- External cover                    **5**



- The sound absorbing pipe can be shortened to the existing wall thickness.
- Minimum installation length of sound absorbing pipe 200 mm

Operating Information

- Volumetric air flow can be adjusted manually
- Simple filter replacement by removing the filter casing
- Air flow limiter base sealed, therefore optimal air mix laterally and upwards with existing warm room air
- The wind pressure barrier limits the volumetric air flow to approximately 30 m<sup>3</sup>/h

Order Quantities

Material Abbreviation	Colour	VKE	Material-No.
AEROCUBE	white; similar RAL 9010	1 No.	L5470010-096010
The AEROCUBE can be combined with			
Reveal channel set (5 units per box)		1 Box	L5460470-096120



Hardware and ventilation technology  
 Duisburger Straße 8  
 57234 Wilnsdorf  
 GERMANY

Phone: +49 271 3931-0  
 Telefax: +49 271 3931-172  
 info@siegenia.com  
 www.siegenia.com



You can find address details for our

SIEGENIA worldwide:  
**Austria** Phone: +43 6225 8301  
**Belarus** Phone: +375 17 3121168  
**Benelux** Phone: +32 9 2811312  
**China** Phone: +86 316 5998198  
**France** Phone: +33 3 89618131  
**Germany** Phone: +49 271 39310

**Hungary** Phone: +36 76 500810  
**Italy** Phone: +39 02 9353601  
**Poland** Phone: +48 77 4477700  
**Russia** Phone: +7 495 7211762  
**South Korea** Phone: +82 31 7985590  
**Switzerland** Phone: +41 33 3461010  
**Turkey** Phone: +90 216 5934151