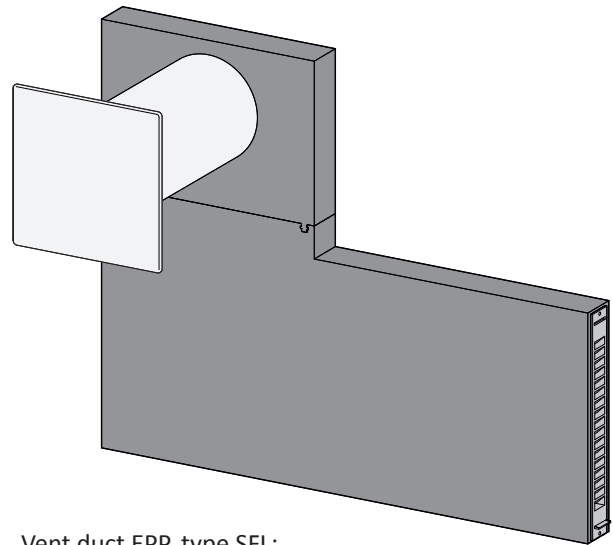


Vent duct EPP, type FL
(Example with inner vents E28)



Vent duct EPP, type SFL:
(Example with inner vents E18)

Application

- Suitable for:
 - New buildings and renovations
 - For houses, apartment buildings, and office buildings
 - Living rooms and bedrooms

Unit properties vent duct EPP

- Vent duct EPP, type FL:
Installation in the window reveal
- Vent duct EPP, type SFL:
Installation to the side of the window reveal

Unit properties AEROTUBE

- Passive air ventilator for supply of fresh air with G2 filter
- The room is ventilated as the indoor and outdoor air pressures are equalised (pressure differential).
- Inner vent E28
 - Comfort is enhanced by the specially designed outflow openings as well as the continuous slider
 - Closed vent base, therefore optimised air mixture laterally and upwards with the existing warm indoor air
- Inner vent E18
 - Individual adjustment of outflow opening between tilt position, parallel action gap and locking position
 - Unobtrusive design due to smaller dimensions

Technical specifications

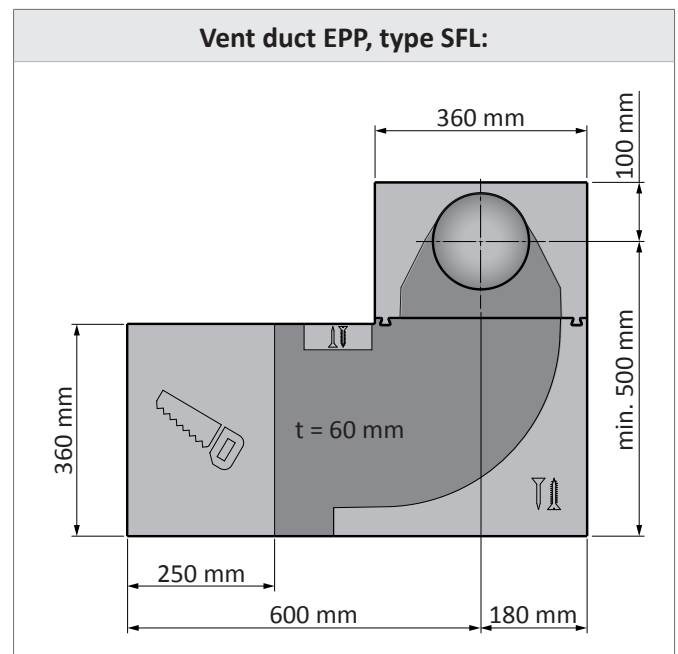
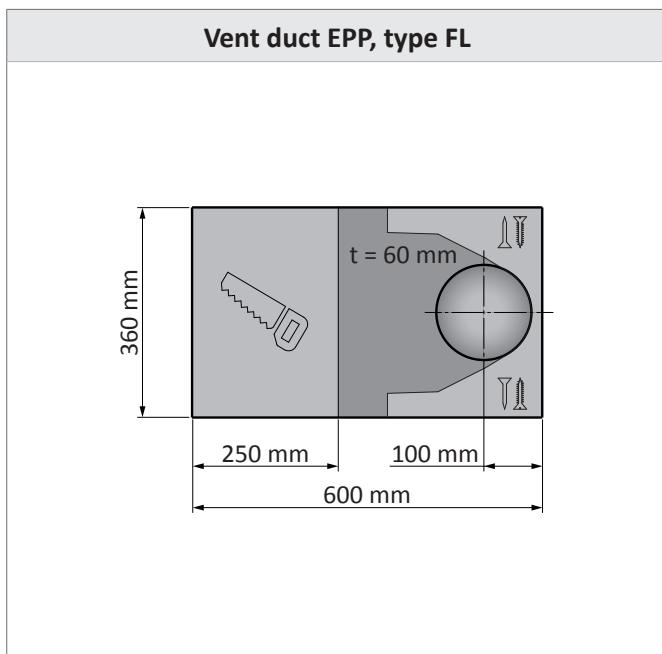
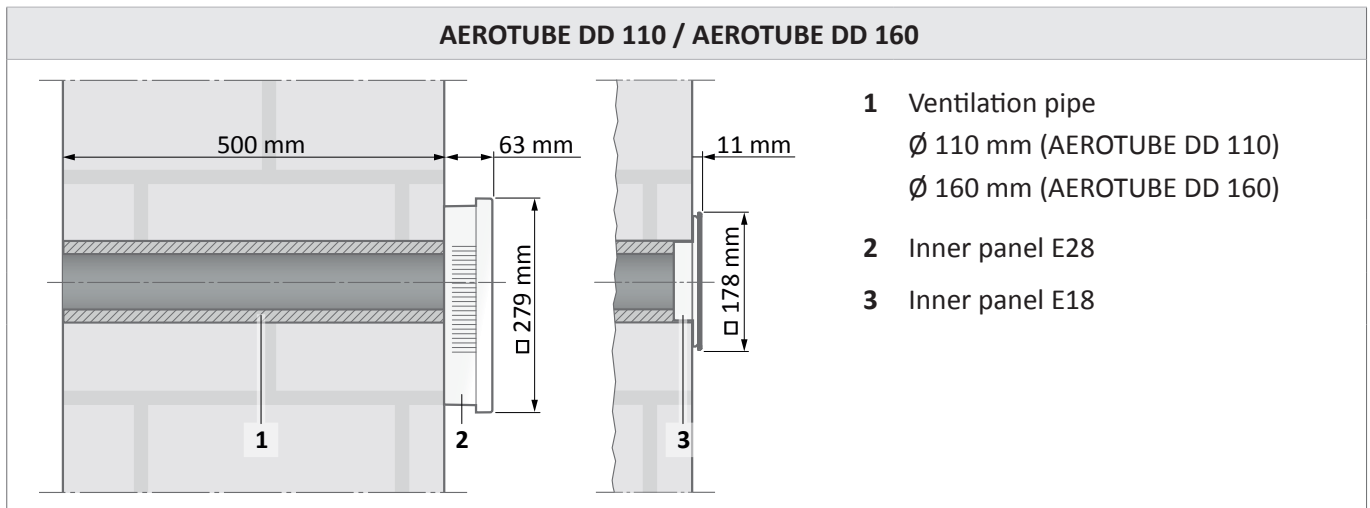
Sound absorption $D_{n,e,w}^1$	AEROTUBE DD 110 ²	AEROTUBE DD 160 ²			
		without SK	SK2	SK3	SK4
Vent duct EPP, type FL for pipe length 270 mm for pipe length 340 mm	63 dB	64 dB	67 dB	68 dB	71 dB
	64 dB	65 dB	69 dB	71 dB	73 dB
Vent duct EPP, type SFL: for pipe length 270 mm for pipe length 340 mm	67 dB	66 dB	69 dB	69 dB	72 dB
	67 dB	71 dB	73 dB	75 dB	75 dB

¹⁾ Measured in accordance with DIN EN 10140-2

Further combination possibilities on request

²⁾ Measured with inner panel E18; 7.5 mm tilt gap

Dimensions and components



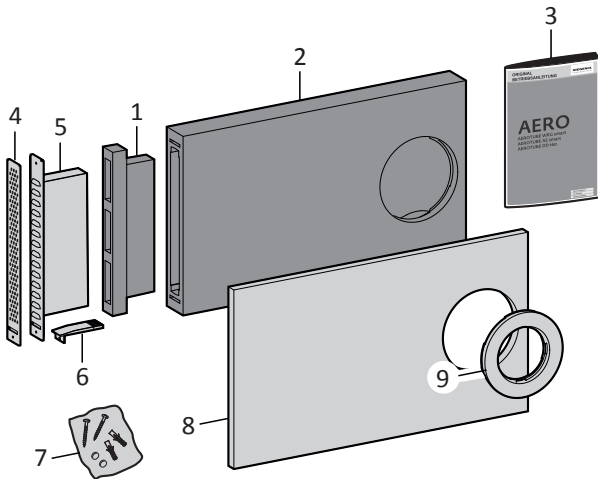


Cropping area



Penetration area
e.g. for screws or insulation material dowels

Vent duct EPP, type FL



Vent duct EPP, type FL

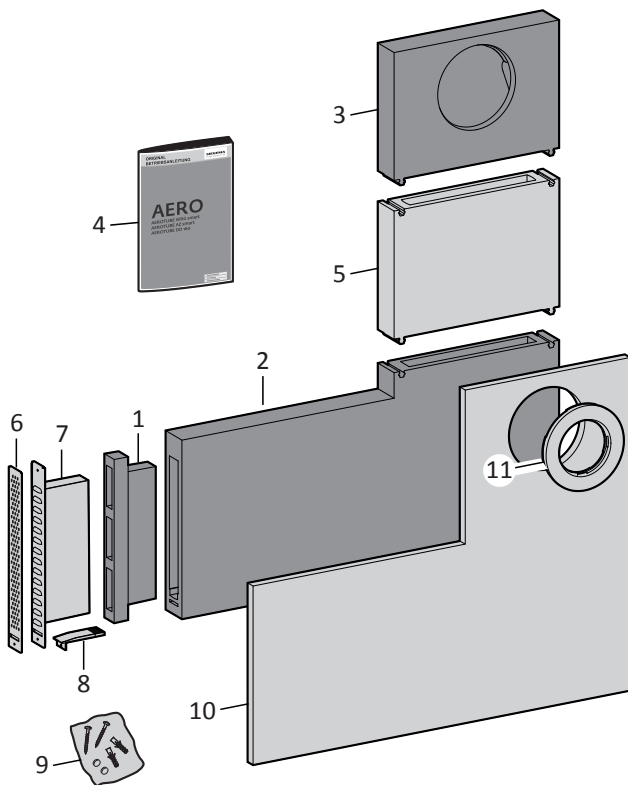
		Material number
1	Plastic cover	
2	Vent duct FL	L5474500-097010
3	Assembly instructions	

Accessories

		Material number
4	Weather grille, perforated grid	L5474610-500010
5	Weather grille, lamella	L5474600-003010
6	Outlet duct*	-
7	Fixing set*	-
8	Insulation plate FL	L5474510-099010
9	Pipe adapter D 110	L5474620-097010

*Outlet duct and fixing set Included in scope of delivery "weather grille".

Vent duct EPP, type SFL:



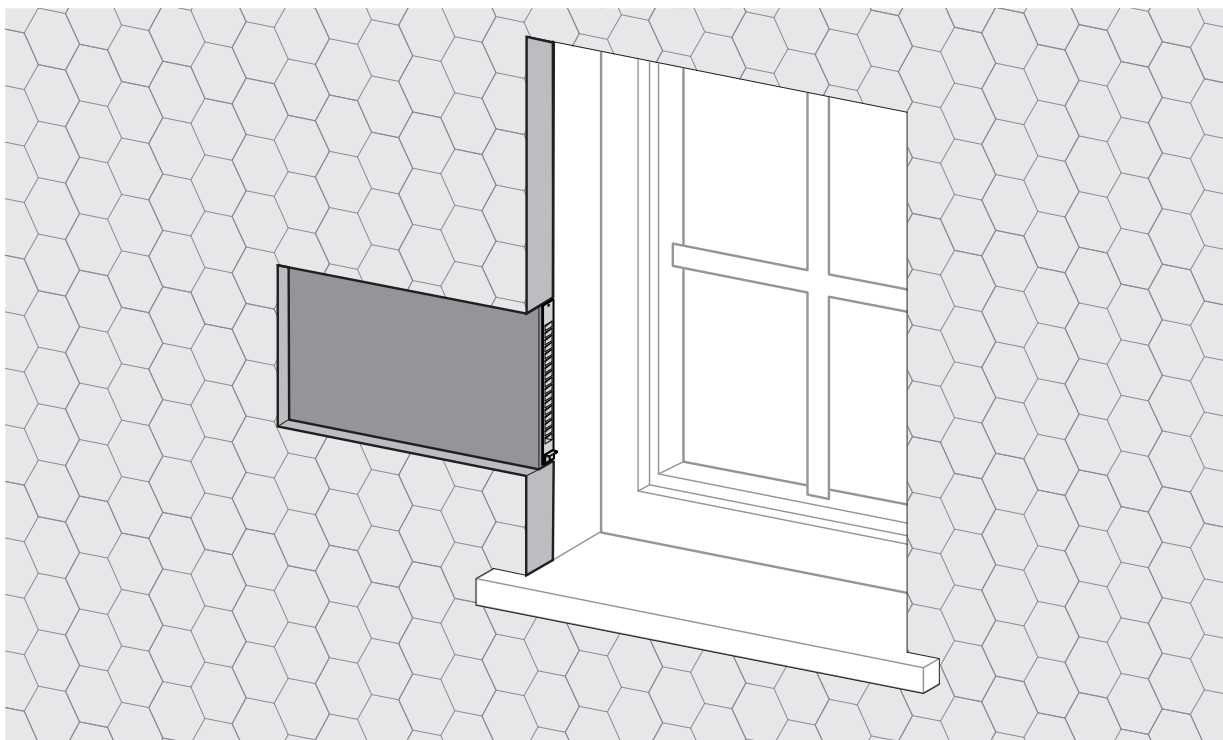
Vent duct EPP, type SFL:

		Material number
1	Plastic cover	
2	Corner drive SFL	L5474700-097010
3	Transition piece SFL	
4	Assembly instructions	

Accessories

		Material number
5	Extension (max. 5 pieces)	L5474730-099010
6	Weather grille, perforated grid	L5474610-500010
7	Weather grille, lamella	L5474600-003010
8	Outlet duct*	-
9	Fixing set*	-
10	Insulation plate SFL	L5474710-099010
11	Pipe adapter D 110	L5474620-097010

*Outlet duct and fixing set Included in scope of delivery "weather grille".

Installation location**Vent duct EPP, type FL****Vent duct EPP, type SFL:**