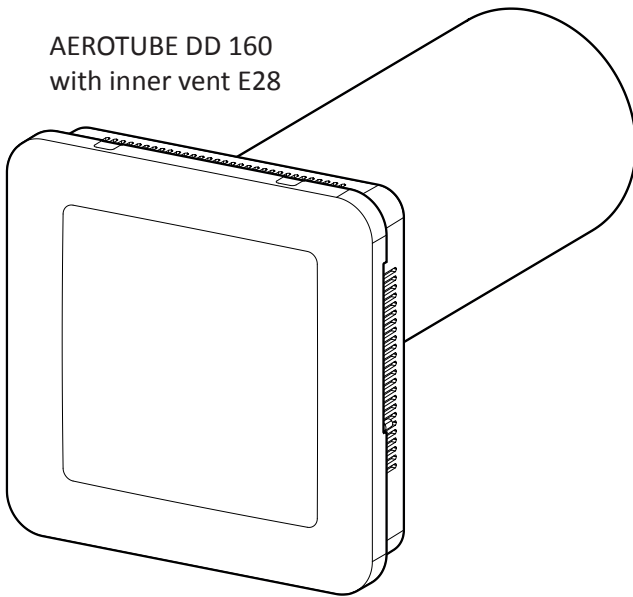
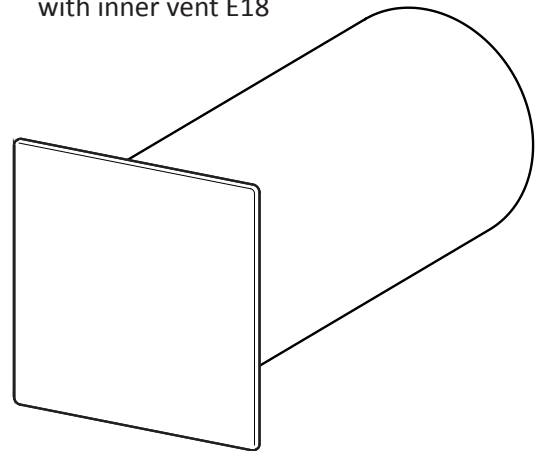


AEROTUBE DD 160  
with inner vent E28



AEROTUBE DD 160  
with inner vent E18



## Application

- The AEROTUBE DD 160 is a passive air ventilator for installation in exterior walls.
- Suitable for:
  - New buildings and renovations
  - For houses, apartment buildings, and office buildings
  - For wall thicknesses up to 500 mm
  - With sound absorption pipe especially suitable for living rooms and bedrooms

## Unit properties

- Passive air ventilator for supply of fresh air with G2 filter
- The room is ventilated as the indoor and outdoor air pressures are equalised (pressure differential).
- Inner vent E28
  - Comfort is enhanced by the specially designed outflow openings as well as the continuous slider
  - Closed vent base, therefore optimised air mixture laterally and upwards with the existing warm indoor air
- Inner vent E18
  - Individual adjustment of outflow opening between tilt position, parallel action gap and locking position
  - Unobtrusive design due to smaller dimensions

**Technical specifications**

		AEROTUBE DD 160 <sup>2</sup>	AEROTUBE DD 160 <sup>3</sup>
<b>Air throughput</b>	at 2 Pa	8 m <sup>3</sup> /h	8 m <sup>3</sup> /h
	at 4 Pa	12 m <sup>3</sup> /h	14 m <sup>3</sup> /h
	at 5 Pa	14 m <sup>3</sup> /h	17 m <sup>3</sup> /h
	at 7 Pa	18 m <sup>3</sup> /h	21 m <sup>3</sup> /h
	at 8 Pa	20 m <sup>3</sup> /h	24 m <sup>3</sup> /h
	at 10 Pa	24 m <sup>3</sup> /h	27 m <sup>3</sup> /h

		AEROTUBE DD 160 <sup>2</sup>			
		without SK	SK2	SK3	SK4
<b>Sound absorption D<sub>n,e,w</sub><sup>1</sup></b>	bei Rohrlänge 270 mm	53 dB	56 dB	57 dB	59 dB
	bei Rohrlänge 340 mm	57 dB	62 dB	63 dB	65 dB

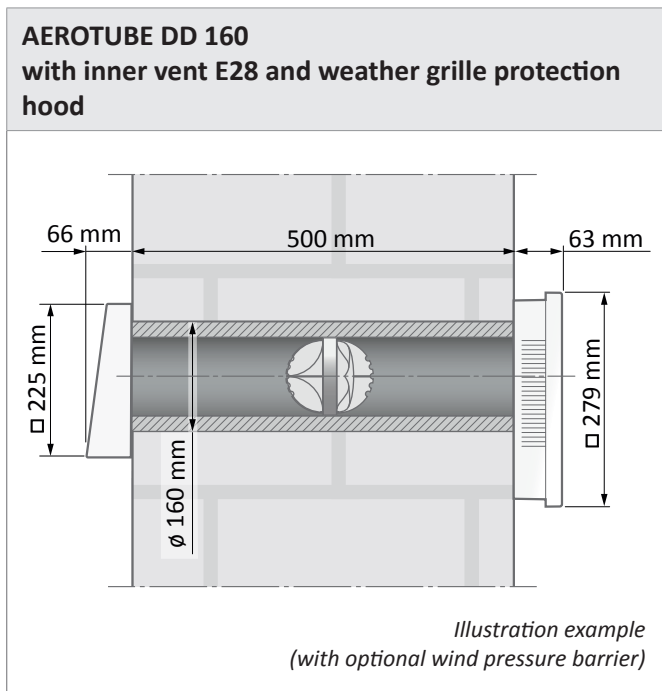
<sup>1)</sup> Measured in accordance with DIN EN 10140-2

<sup>2)</sup> Measured with inner panel E18; 7.5 mm tilt gap


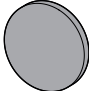
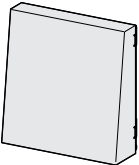

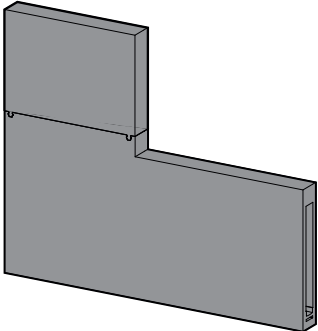
<sup>3)</sup> Measured with inner vent E18; 15 mm tilt gap

Further combination possibilities on request

**Dimensions**



Spare parts and accessories

Material description	Material number	Contents
Filter set G2 for inner vent E28	L3470090-093110	2x Filter G2 
Filter set G2 for inner vent E18	L3470080-096110	2x Filter G2 
Stainless steel weather grille hood	L5477020-000010	1x stainless steel weather grille hood 
Sound insulation element (SK) (Sound absorption $D_{n,e,w}$ up to 65 dB)	L5473800-096010	1x sound insulation element 
Vent duct EPP (Sound absorption $D_{n,e,w}$ up to 71 dB)	For detailed information, see technical data sheet H40.WANS017EN	

\*Sound absorption  $D_{n,e,w}$  up to 75 dB, with combination of vent duct EPP and sound insulation elements (SK)