

Application

- Suitable for:
 - New buildings and renovations
 - For houses, apartment buildings, and office buildings
 - Living rooms and bedrooms

Unit properties

- Vent duct EPP, type FL:
Installation in the window reveal
- Vent duct EPP, type FL:
Installation to the side of the window reveal

- AEROTUBE AZ smart / AEROTUBE WRG smart:
 - Comfort is enhanced by the specially designed outflow openings as well as the continuous slider
 - Closed vent base, therefore optimised air mixture laterally and upwards with the existing warm indoor air
 - AEROTUBE AZ smart: Wall-mounted ventilator with supply air and exhaust air function and temperature/ humidity sensor
 - AEROTUBE WRG smart¹: Wall-mounted ventilator with supply air and exhaust air function, heat recovery (max. 90%) and temperature/ humidity sensor
 - Two in one: supply and exhaust air function in one device, adjustable air flow direction
 - Discreet look - the functional element sits in the ventilation pipe
 - Subsequent function assignment of devices possible on site and after installation
 - Controlled domestic ventilation: the devices communicate with each other and change the direction of air flow accordingly. The mutual communication is wireless.
 - Simple operation via smartphone or tablet using the SIEGENIA Comfort app²

¹) Operation in pairs recommended

²) Notes on compatibility at www.siegenia.com/gr/comfort-app/faq

Technical specifications

Sound absorption $D_{n,e,w}^2$		AEROTUBE AZ smart / AEROTUBE WRG smart
Vent duct EPP Type FL	for pipe length 270 mm	47 dB
	for pipe length 340 mm	47 dB
	for pipe length 500 mm	50 dB
Vent duct EPP Type SFL	for pipe length 270 mm	51 dB
	for pipe length 340 mm	52 dB
	for pipe length 500 mm	51 dB

²⁾ measured according to DIN EN 10140-2

Dimensions and components

AEROTUBE AZ smart / AEROTUBE WRG smart

- 1 Ventilation pipe
- 2 Ceramic heat accumulator (AEROTUBE WRG smart only)
- 3 Filter G3
- 4 Axial ventilator
- 5 Pipe inset
- 6 Casing with slider and front panel

Vent duct EPP, type FL

Vent duct EPP, type SFL

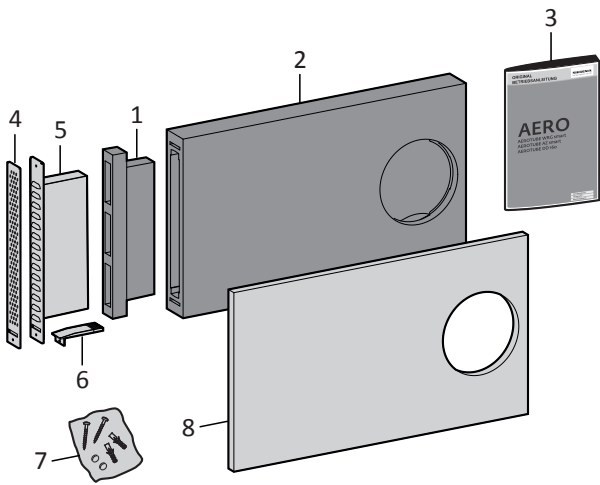


Cropping area



Penetration area
e.g. for screws or insulation material dowels

Vent duct EPP, type FL



Vent duct EPP, type FL

Material number

1	Plastic cover	
2	Vent duct FL	L5474500-097010
3	Assembly instructions	

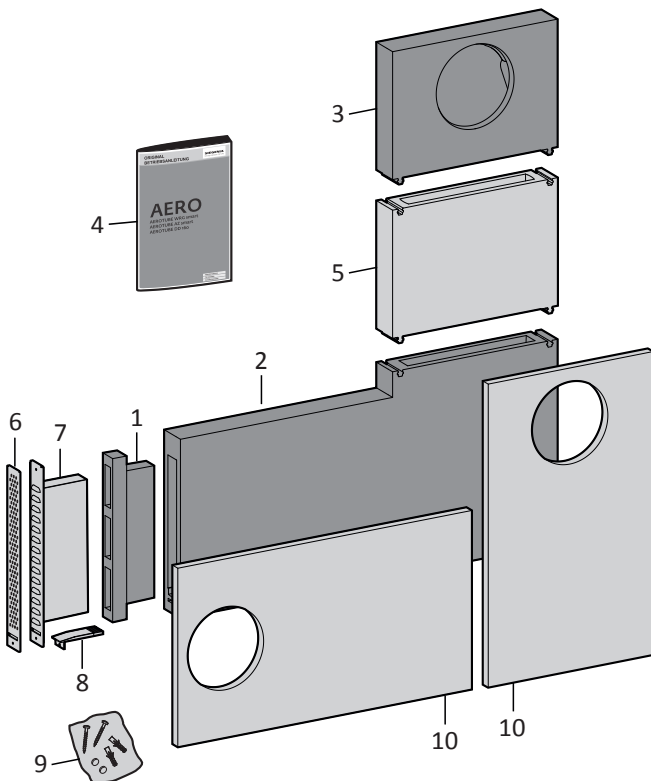
Accessories

Material number

4	Weather grille, perforated grid	L5474610-500010
5	Weather grille, lamella	L5474600-003010
6	Outlet duct*	-
7	Fixing set*	-
8	Insulation plate FL	L5474510-099010

*Outlet duct and fixing set Included in scope of delivery "weather grille".

Vent duct EPP, type SFL:



Vent duct EPP, type SFL:

Material number

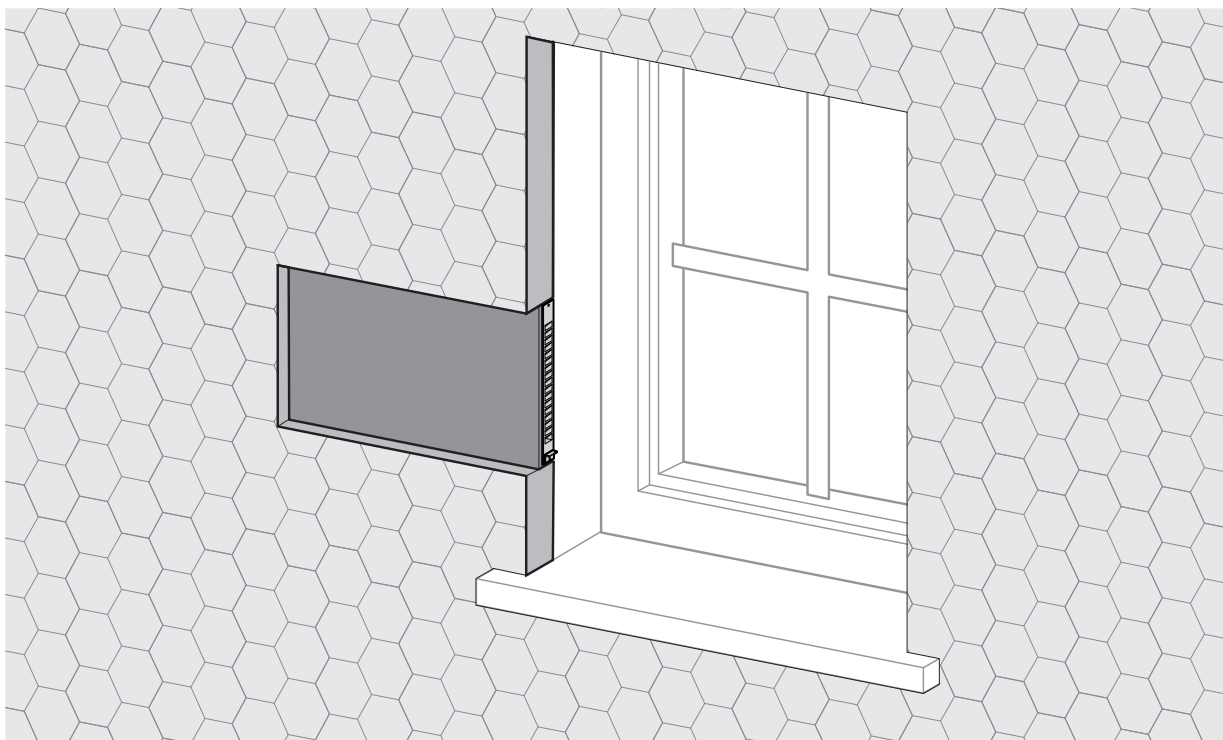
1	Plastic cover	
2	Corner drive SFL	
3	Transition piece SFL	L5474700-097010
4	Assembly instructions	

Accessories

Material number

5	Extension (max. 5 pieces)	L5474730-099010
6	Weather grille, perforated grid	L5474610-500010
7	Weather grille, lamella	L5474600-003010
8	Outlet duct*	-
9	Fixing set*	-
10	Insulation plate FL	L5474510-099010

*Outlet duct and fixing set Included in scope of delivery "weather grille".

Installation location**Vent duct EPP, type FL****Vent duct EPP, type SFL:**