

## Application

- The AEROTUBE DD 110 is a passive air ventilator for installation in exterior walls.
- Suitable for:
  - New buildings and renovations
  - For houses, apartment buildings, and office buildings
  - For wall thicknesses up to 500 mm
  - With sound absorption pipe especially suitable for living rooms and bedrooms

## Unit properties

- Passive air ventilator for supply of fresh air with G2 filter
- The room is ventilated as the indoor and outdoor air pressures are equalised (pressure differential).
- Inner vent E28
  - Comfort is enhanced by the specially designed outflow openings as well as the continuous slider
  - Closed vent base, therefore optimised air mixture laterally and upwards with the existing warm indoor air
- Inner vent E18
  - Individual adjustment of outflow opening between tilt position, parallel action gap and locking position
  - Unobtrusive design due to smaller dimensions

**Technical specifications**

|   |                      | AEROTUBE DD 110 <sup>2</sup> | AEROTUBE DD 110 <sup>3</sup> |
|---|----------------------|------------------------------|------------------------------|
| Air throughput                            | at 2 Pa              | 4 m <sup>3</sup> /h          | 6 m <sup>3</sup> /h          |
|   | at 4 Pa              | 6 m <sup>3</sup> /h          | 13 m <sup>3</sup> /h         |
|   | at 5 Pa              | 6 m <sup>3</sup> /h          | 14 m <sup>3</sup> /h         |
|   | at 7 Pa              | 7 m <sup>3</sup> /h          | 19 m <sup>3</sup> /h         |
|   | at 8 Pa              | 8 m <sup>3</sup> /h          | 21 m <sup>3</sup> /h         |
|   | at 10 Pa             | 10 m <sup>3</sup> /h         | 23 m <sup>3</sup> /h         |
|   |                      | AEROTUBE DD 110 <sup>2</sup> |                              |
| Sound absorption $D_{n,e,w}$ <sup>1</sup> | bei Rohrlänge 270 mm | 54 dB                        |                              |
|   | bei Rohrlänge 340 mm | 55 dB                        |                              |
|   | bei Rohrlänge 500 mm | 58 dB                        |                              |

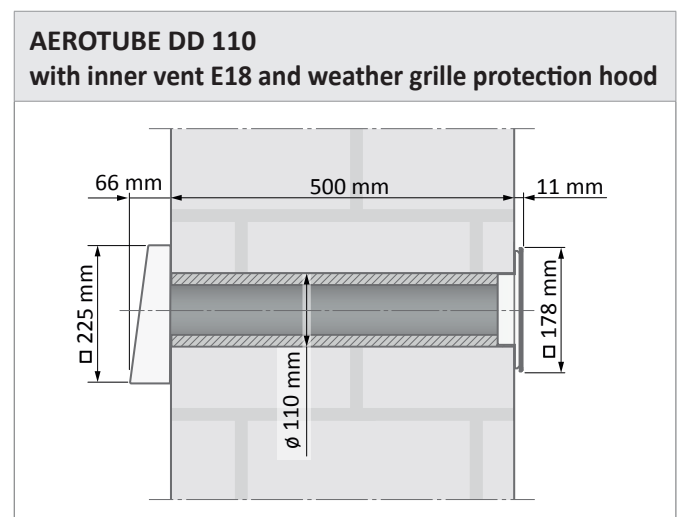
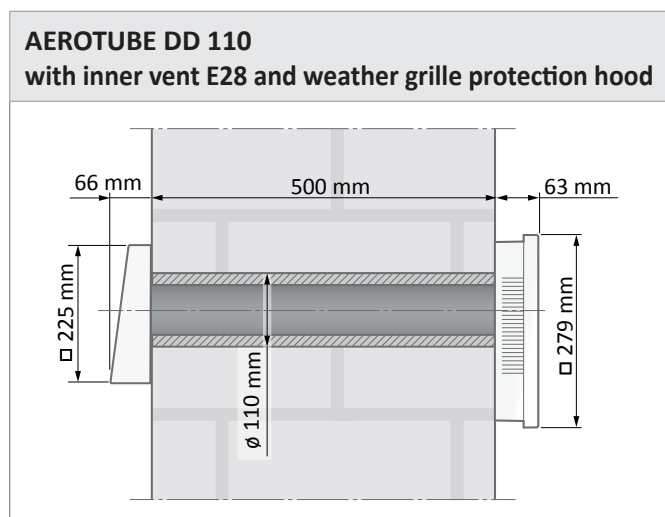
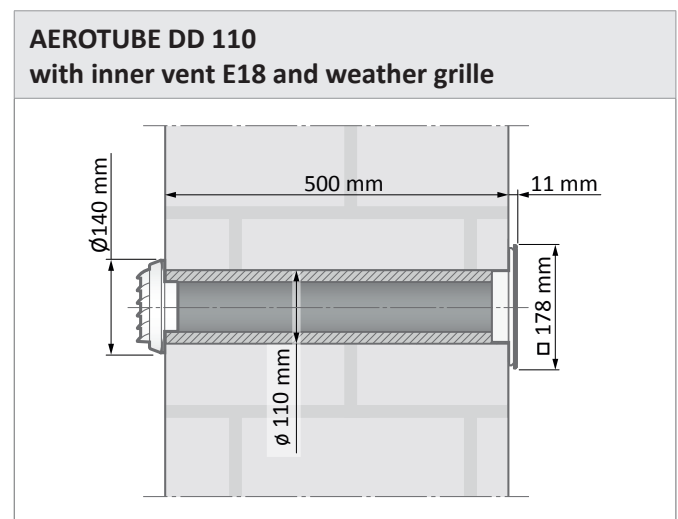
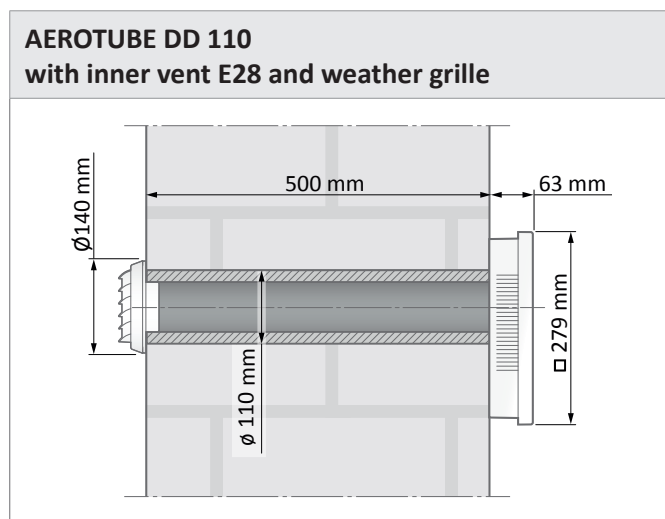
<sup>1)</sup> Measured in accordance with DIN EN 10140-2

<sup>2)</sup> Measured with inner panel E18; 7.5 mm tilt gap


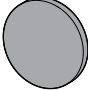

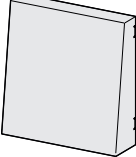
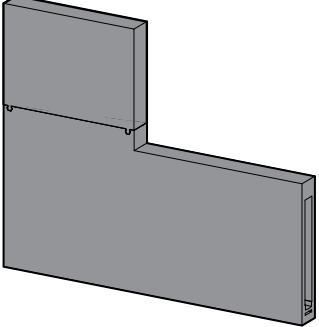
<sup>3)</sup> Measured with inner vent E18; 15 mm tilt gap

Further combination possibilities on request

**Dimensions**



Spare parts and accessories

| Material description  | Material number   | Contents                                  |  |
|---|---|---|--|
| Filter set G2<br>for inner vent E28                         | L3470090-093110   | 2x Filter G2                              |   |
| Filter set G2<br>for inner vent E18                         | L3470080-096110   | 2x Filter G2                              |   |
| Weather grille white PVC                                    | 158289  | 1x weather grille                         |   |
| Brown PVC weather grille                                    | 158296  |   |  |
| Stainless steel weather grille<br>hood                      | L5477020-000010   | 1x stainless steel<br>weather grille hood |   |
| Vent duct EPP<br>(Sound absorption $D_{n,e,w}$ up to 64 dB) | For detailed information, see technical data<br>sheet H40.WANS017EN |   |  |