

Application

- The AEROTUBE AZ smart is a wall-mounted ventilator with supply air and exhaust air function and temperature/ humidity sensor.
- Suitable for:
 - New buildings and renovations
 - For houses, apartment buildings, and office buildings
 - For wall thicknesses up to 500 mm
 - Living rooms and bedrooms

Unit properties

- Comfort is enhanced by the specially designed outflow openings as well as the continuous slider
- Closed vent base, therefore optimised air mixture laterally and upwards with the existing warm indoor air
- Supply air and exhaust air function and temperature/ humidity sensor
- Two in one: supply and exhaust air function in one device, adjustable air flow direction
- Discreet look - the functional element sits in the ventilation pipe
- Controlled domestic ventilation: the devices communicate with each other and change the direction of air flow accordingly. The mutual communication is wireless.
- Subsequent function assignment of devices possible on site and after installation.
- Simple operation via smartphone or tablet using the SIEGENIA Comfort app¹

¹⁾ Notes on compatibility at www.siegenia.com/qr/comfort-app/faq

Technical specifications

	AEROTUBE AZ smart
Air throughput (information for exhaust air) With blower level 1 With blower level 2 With blower level 3	approx. 24 m ³ /h approx. 43 m ³ /h approx. 58 m ³ /h
Inherent noise¹ With blower level 1 With blower level 2 With blower level 3	L _{PA} = 26 dB (A) L _{PA} = 39 dB (A) L _{PA} = 46 dB (A)
Sound absorption D_{n,e,w}²	34 dB
Power consumption With blower level 1 With blower level 2 With blower level 3	2 W 2.8 W 4.1 W
Electrical connection	230 V~ / 6 W
Protection class II	IP22
Weight	2.5 kg
Fresh air filter	G3
Technical approval	Z-51.5-395

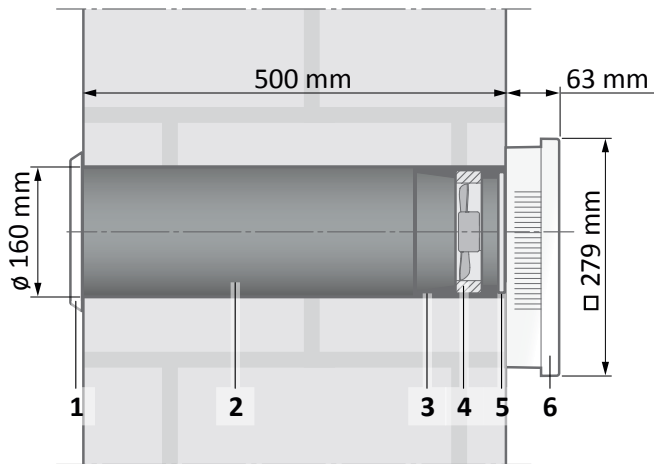
¹⁾ Measured in accordance with DIN EN ISO 3745 with room insulation 8 db

²⁾ Measured in accordance with DIN EN 10140-2

Information requirements

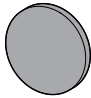
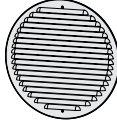

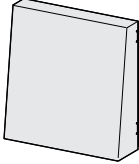
according to EU Regulation	1253/2014
a Manufacturer	SIEGENIA
b Model identification	AEROTUBE AZ smart
c Energy consumption (SEV); Energy efficiency class (SEC class) (according to climatic zone warm / average / cold)	– 10.99 kWh/(m ² · a); E – 25.36 kWh/(m ² · a); C – 50.44 kWh/(m ² · a); A+
d Type	WLA / ELA
e Type of drive	Rotational speed control
f Heat recovery system	—
g Degree of temperature change	—
h Highest air flow rate	43 m ³ /h
i Electrical input power	4.1 W
j Noise level	47 dB (A)
k Relative air flow rate	43 m ³ /h
l Relative pressure differential	—
m Specific input power	0.06 W/(m ³ /h)
n Control factor / control typology	1.21 / 0.65
o Highest degree of inner and outer leakage rate (inner / outer leakage)	— / —
p Mix rate (inner area / outer area)	—
q Instructions for replacing filter	See original operating instructions H47.WANS008EN
r Instructions for the mounting of outside air / exhaust air grilles (for one-directional ventilation units)	—
s Instructions for dismantling	—
t Pressure fluctuation sensitivity of the air flow (at +20 Pa and –20 Pa)	33 % / – 33 %
u Air tightness between inside and outside	2.7 m ³ /h / 1,2 m ³ /h

Dimensions and components



- 1 Weather grille
- 2 Ventilation pipe
- 3 Pipe inset
- 4 Axial ventilator
- 5 Filter G3
- 6 Casing with slider and front panel

Spare parts and accessories

Material description	Material number	Contents	
Filter set G3	L5476000-093010	2x Filter G3	
Weather grille aluminium-zinc (choice of RAL)	L5477000-0V0010	1x weather grille	
Weather grille stainless steel	L5477010-000010		
PVC weather grille	L5477020-004010	1x weather grille	
Stainless steel weather grille hood (Sound absorption $D_{n,e,w}$ up to 38 dB)	L5477020-000010	1x stainless steel weather grille hood	
Vent duct EPP (Sound absorption $D_{n,e,w}$ up to 51 dB)	For detailed information, see technical data sheet H40.WANS015EN		