

## Application

- The AEROTUBE WRG smart is wall-mounted ventilator with supply air and exhaust air function, heat recovery (max. 90%) and temperature/humidity sensor.
- Suitable for:
  - New buildings and renovations
  - For houses, apartment buildings, and office buildings
  - For wall thicknesses up to 500 mm
  - Living rooms and bedrooms

## Unit properties

- Comfort is enhanced by the specially designed outflow openings as well as the continuous slider
- Closed vent base, therefore optimised air mixture laterally and upwards with the existing warm indoor air
- Supply and exhaust air function,
- Heat recovery (max. 90 %)
- Temperature / humidity sensor
- Two in one: supply and exhaust air function in one unit, adjustable<sup>1</sup> air flow direction
- Discreet look - the functional element sits in the ventilation pipe
- Controlled domestic ventilation: the devices communicate with each other and change the direction of air flow accordingly. The mutual communication is wireless.
- Subsequent function assignment of devices possible on site and after installation.
- Simple operation via smartphone or tablet using the SIEGENIA Comfort app<sup>2</sup>

<sup>1)</sup> Operation in pairs recommended

<sup>2)</sup> Notes on compatibility at [www.siegenia.com/gr/comfort-app/faq](http://www.siegenia.com/gr/comfort-app/faq)

## Technical specifications

	AEROTUBE WRG smart
<b>Air throughput (active)</b> With blower level 1 With blower level 2 With blower level 3	approx. 15 m <sup>3</sup> /h approx. 32 m <sup>3</sup> /h approx. 45 m <sup>3</sup> /h
<b>Inherent noise<sup>1</sup></b> With blower level 1 With blower level 2 With blower level 3	L <sub>PA</sub> = 25 dB (A) L <sub>PA</sub> = 38 dB (A) L <sub>PA</sub> = 46 dB (A)
<b>Sound absorption D<sub>n,e,w</sub><sup>2</sup></b>	35 dB
<b>Degree of heat provision</b>	max. 90%
<b>Power consumption</b> With blower level 1 With blower level 2 With blower level 3	2.1 W 2.9 W 4.3 W
<b>Electrical connection</b>	230 V~ / 6 W
<b>Protection class II</b>	IP22
<b>Weight</b>	4.5 kg
<b>Fresh air filter</b>	G3
<b>Technical approval</b>	Z-51.3-387

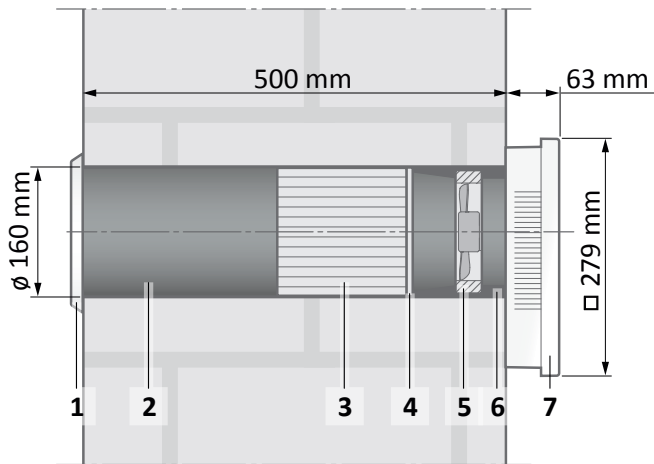
<sup>1)</sup> Measured in accordance with DIN EN ISO 3745 with room insulation 8 db

<sup>2)</sup> Measured in accordance with DIN EN 10140-2

**Product data sheet**

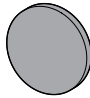
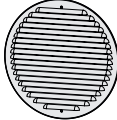

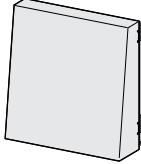
according to EU Regulation	1254/2014
a Manufacturer	SIEGENIA
b Model identification	AEROTUBE WRG smart
c Energy consumption (SEV); Energy efficiency class (SEC class) (according to climatic zone warm / average / cold)	– 17.62 kWh/(m <sup>2</sup> · a); E – 42.15 kWh/(m <sup>2</sup> · a); A+ – 84.96 kWh/(m <sup>2</sup> · a); A+
d Type	WLA / ZLA
e Type of drive	Rotational speed control
f Heat recovery system	regenerative
g Degree of temperature change	81.4 %
h Highest air flow rate	45 m <sup>3</sup> /h
i Electrical input power	8.6 W
j Noise level	46 dB (A)
k Relative air flow rate	32 m <sup>3</sup> /h
l Relative pressure differential	—
m Specific input power	0.8 W/(m <sup>3</sup> /h)
n Control factor / control typology	1.21 / 0.65
o Highest degree of inner and outer leakage rate (inner / outer leakage)	— / —
p Mix rate (inner area / outer area)	—
q Instructions for replacing filter	See original operating instructions <a href="#">H47.WANS008EN</a>
r Instructions for the mounting of outside air / exhaust air grilles (for one-directional ventilation units)	—
s Instructions for dismantling	—
t Pressure fluctuation sensitivity of the air flow (at +20 Pa and –20 Pa)	32 % / – 42 %
u Air tightness between inside and outside	2.7 m <sup>3</sup> /h / 1,2 m <sup>3</sup> /h
v Annual power consumption	1.048 kWh/a
w Annual saving of heating energy (according to climatic zone warm / average / cold)	20.24 kWh/a 44.77 kWh/a 87.58 kWh/a

**Dimensions and components**



- 1 Weather grille
- 2 Ventilation pipe
- 3 Storage stone
- 4 Filter G3
- 5 Axial ventilator
- 6 Pipe inset
- 7 Casing with slider and vent

**Spare parts and accessories**

Material description	Material number	Contents
Filter set G3	L5476000-093010	2x Filter G3 
Weather grille aluminium-zinc (choice of RAL)	L5477000-0V0010	1x weather grille 
Weather grille stainless steel	L5477010-000010	
PVC weather grille	L5477020-004010	1x weather grille D160 
Stainless steel weather grille hood (Sound absorption $D_{n,e,w}$ up to 39 dB)	L5477020-000010	1x stainless steel weather grille hood 
Vent duct EPP (Sound absorption $D_{n,e,w}$ up to 51 dB)	For detailed information, see technical data sheet H40.WANS015EN	