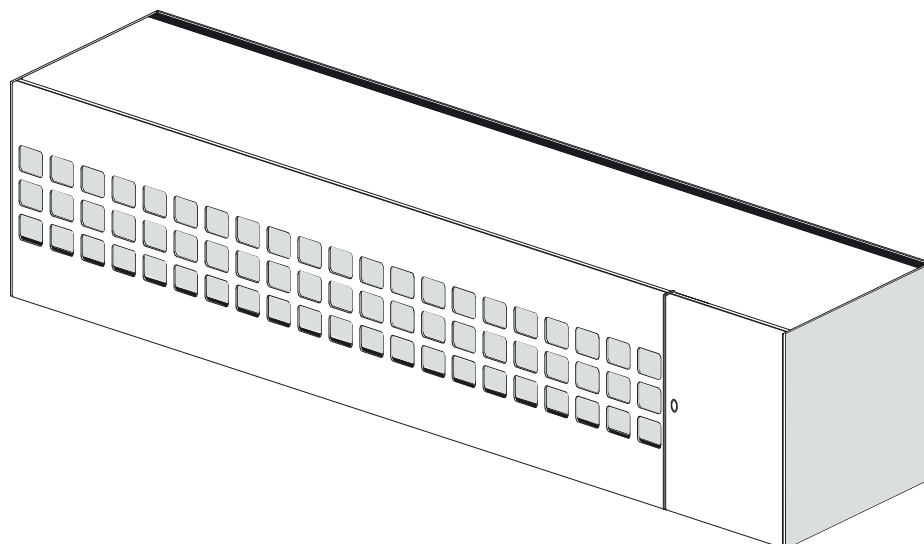


# AEROMAT 150.

Sound absorbing ventilator.





**Contents**

Important information ..... 4

Intended use ..... 4

Safety notices ..... 4

Installation ..... 5

Mains supply ..... 6

Function and operation ..... 7

Cleaning ..... 8

Accessories ..... 9

Technical data ..... 9

Dimensions ..... 9

Liability ..... 10

## Important information

Please read the following instructions carefully before operating the unit for the first time.

## Intended use

- The AEROMAT 150 is intended for installation in the exterior windows/walls of permanent structures in accordance with our installation and design documents as well as the specifications of our installation instructions and is only suitable for the ventilation of enclosed rooms.
- The unit must always be installed by an experienced specialist, in accordance with the installation and planning documents of SIEGENIA.
- Do not use the AEROMAT 150 in environments with corrosive or explosive atmospheres (dust, vapour or gas).
- If the AEROMAT 150 is to be used in a room with a heating unit that draws air from the room, prior authorisation must be obtained from the proper authorities, such as the officially appointed district chimney sweep. Intended use requires that any combustion air lines and exhaust gas systems of solid fuel heating units must be able to be shut off.
- Only operate and/or store the AEROMAT 150 at temperatures between -15 °C and +40 °C.
- Use the AEROMAT 150 only with genuine accessories from SIEGENIA.
- Use the AEROMAT 150 only when it is in a technically sound condition. Do not modify the unit's components in any way.
- Ventilation openings must be kept free and must not be blocked by other equipment, furniture or objects.
- In the event of a fault, only have the AEROMAT 150 repaired by experienced specialists with training and practice in the repair of ventilation units.
- Any use of this product that is not in accordance with its intended use, or any adaptation of or modification to the product and its associated components for which the express consent of SIEGENIA has not been obtained, is strictly prohibited. SIEGENIA accepts no liability whatsoever for any material losses or injury to people caused by failure to comply with this stipulation.

## Safety notices

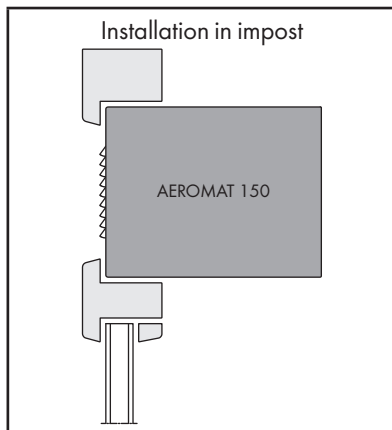
### Type AW 4 and Type DK

- The unit should not be operated by people (including children) with physical, sensory or mental disabilities, nor by people with insufficient experience or without previous knowledge, unless adequate supervision is provided or detailed instructions on how to use the unit are issued by a responsible person.
- If the network connection cable is damaged, it may only be replaced by SIEGENIA, its customer service department or a qualified electrician.
- Work on a 230-V AC mains power supply may only be performed by a qualified electrician.
- All work on the 230 V AC mains power supply must be carried out in compliance with the current German VDE regulations (e.g. VDE 0100) and any relevant country-specific requirements.
- All-pole safety isolation should be used when fitting the network connection cable on-site.
- Observe the numbering of the connecting cable.
  - Swapping the leads may result in damage to the control electronics.
- Fire hazard and risk of an electrical shock (for type AW4)!
- Should a solid object or any liquid get inside the unit, stop operation immediately and disconnect the AEROMAT 150 from the mains power supply:
  - Check whether the AEROMAT 150 has become damaged
  - Have the unit repaired by a specialist, if necessary

## Installation

### Prerequisites for installation

- The position from which the outdoor air is drawn in must be selected in such way that any nearby emission sources have as little impact as possible on the quality of the air being drawn in.
- Installation options:



### Installation sequence

1. Carefully remove AEROMAT 150 from the packaging. We recommend placing the unit on a soft surface (e.g. cardboard or blanket) during installation.
2. Type DD: Close the locking plate on the front to prevent contamination (e.g. dust) from entering the unit during installation.
3. Install the AEROMAT 150 in its intended installation position and seal it in accordance with the installation directives applicable on site.
4. Check AEROMAT 150 for cleanliness prior to its commissioning. If necessary, clean the unit thoroughly as described in our operating and care instructions.

### Mains supply

Depending on the design, the AEROMAT 150 is connected directly to the 230-V AC mains power supply using an external switch.

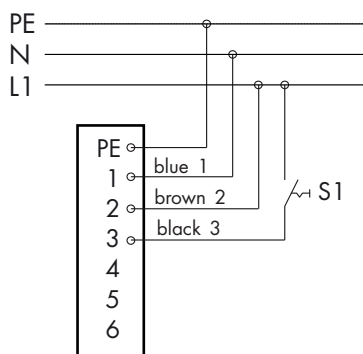
**⚠ WARNING Exposed electrical components. Risk of fatal injury from electric shock or fire.**

- > Work on a 230-V AC mains power supply may only be performed by a qualified electrician.
- > All work on the 230-V AC mains power supply must be carried out in compliance with the current German VDE regulations (e.g. VDE 0100) and any relevant country-specific requirements.
- > Switch off or unscrew the fuses.

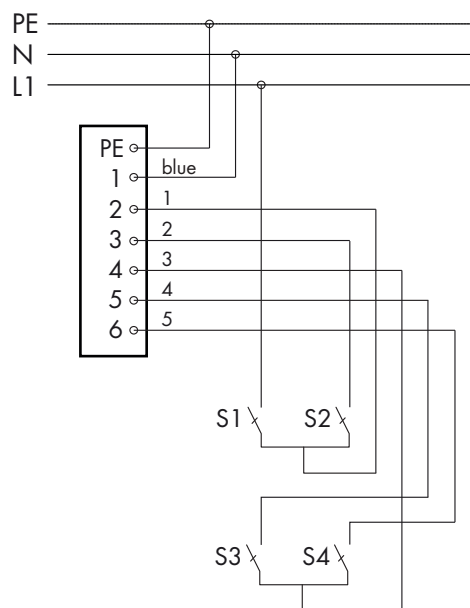
**Important:** If the AEROMAT 150 is connected directly to the 230-V AC mains power supply, a mains isolator must be installed by the customer.

- > Wire the circuit according to this circuit diagram

#### Connection Type DK



#### Connection Type AW4



Switch assignment	
S1	Opening and closing of the locking plate

Switch assignment	Switch position
S1	Turn system on/off open = unit is off
S2	Opening and closing of the locking plate open = ventilator is closed
S3	Changeover ventilation (aeration/de-aeration) open = aeration
S4	Changeover of level I / II open = level I

#### Connector pin assignment

Connecting cable 7 x 0.75 ca. 1.2 m long  
 Protection class I, covered version, 230 V~ max. 0.17 A  
 Ventilation level I = 5 W, level II = 32 W

You can connect and operate up to five AEROMAT 150 at the same time with one blower each on one switch unit.

## Function and operation

With SIEGENIA AEROMAT 150 sound absorbing ventilators, you can still ventilate with closed windows, safely, economically, without draughts and without outside noise.

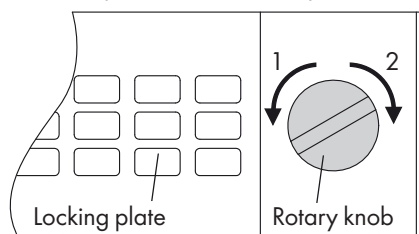
### Pressure differential operation (Type DD / DK)

AEROMAT 150 Type DD / DK is a sound absorbing ventilator based on pressure differential. A rotary knob allows you to continuously adjust the required airflow.

There is a pressure differential between indoor and outdoor air. The room is ventilated as the indoor and outdoor air pressures are equalised. Normally, air flows from outside into the room. The air flow into the room varies as the pressure created by the wind changes with the weather.

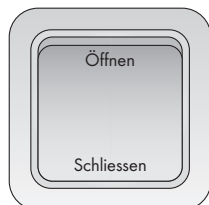
#### Type DD

The rotary knob allows you to open and close the locking plate. You may continuously adjust the required airflow between both end positions of the rotary knobs.



#### Type DK (with 5-wired connecting cable)

Opening and closing of the locking plate only via external switches, e.g. AF1 or triggering via external units.

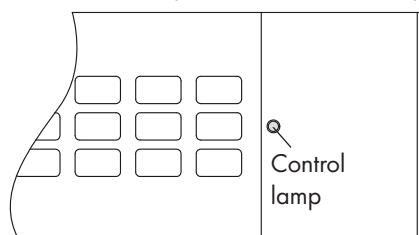


### Ventilator operation (Type AW4)

- The AEROMAT 150 Type AW4 is a ventilator with axial blower.

Type AW4 allows you to reinforce the air flow with an additional 2-step radial blower. The blower is automatically turned on with the selected power level when the locking plate opens, and it is turned off when the locking plate closes.

An indicator lamp indicates the blower operation.



If an object blocks the closing operation in an opening of the front panel, the locking plate opens again immediately. The unit repeats the closing operation until the object has been removed.

### Switch operation

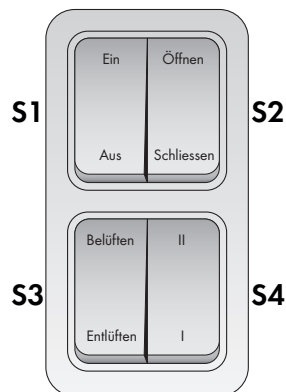
- You may operate the unit via a switch unit (accessory).
- The switch unit allows you to choose between two blower levels and the operational mode aeration and de-aeration.
- You may operate up to five units at the same time with one switch unit.

**S1:** Turning the system on and off

**S2:** Opening and closing of the locking plate

**S3:** Changeover ventilation (aeration and de-aeration)

**S4:** Switching of level I / II



**Note!** To save energy, you may also operate the Type AW4 as pressure differential ventilator without blower. To do so, open the locking plate, and then turn off the ventilator.

### Cleaning

#### **⚠ WARNING** Cleaning the unit!

- › Switch off all poles of the feeder.
- › Only clean the AEROMAT 150 as to where the unit is accessible safely. Observe the safety regulations for ladders, steps, works in particular heights etc.
- › If required, clean the outer parts of the AEROMAT 150's casing using a suitable cloth, which has been moistened with a mild soap sud or washing-up liquid.
- › Never use cleaning agents that are aggressive or contain solvents, as these may damage the surface of the unit.
- › When cleaning the unit, avoid liquid from entering into the casing.
- › Never clean the unit with a high-pressure cleaner or steam-jet cleaner.



## Accessories

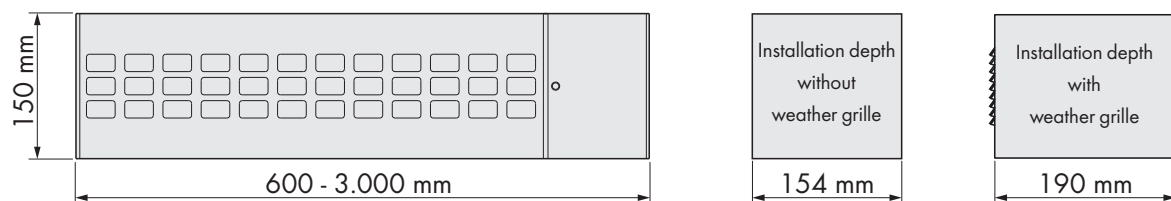
Please indicate the desired lengths for the aluminium profiles (see order form AEROMAT 150).

Name	Material no.	Use
Flush-mount switch AF1, single, white	128032-001	Type DK
Surface-mounted casing for switch AF1, white	149027	
Flush-mounted switch AW4, white	148938	Type AW4:
Surface-mounted casing double, white	148907	
Aluminium profile 20 x 20 x 2 mm, white (RAL 9016)	aer.winkel 20x20x2	Types DD, DK, AW4
Aluminium profile 20 x 20 x 2 mm, silver (EV 1)		

## Technical data

Specification for a AEROMAT 150	Type DD	Type DK	Type AW4:
Sound absorption ( $R_{w1,g}$ )	44 dB	44 dB	44 dB
Sound absorption in accordance with DIN EN ISO 20140-10 ( $D_{n,e,w}$ )	51 dB	51 dB	51 dB
Air throughput (measured at 10 Pa pressure differential, 1,200 mm ventilator length and with weather grille 910 CW-1)	approx. 60 m <sup>3</sup> /h	approx. 60 m <sup>3</sup> /h	-
Air throughput (with 1 blower and 1,200 mm ventilator length)	-	-	Level 1 = 70 m <sup>3</sup> /h Level 2 = 120 m <sup>3</sup> /h
Electrical connection	-	230 V~ 0.01 A	230 V~ max. 0.17 A
Protection class I	-	✓	✓
Power consumption	-	-	Level 1 = 5 W Level 2 = 32 W
U-value (calculated in accordance with ISO 6946)	2.7 W/m <sup>2</sup> K	2.7 W/m <sup>2</sup> K	2.7 W/m <sup>2</sup> K
Ventilator length (in mm increments)	600 - 3,000 mm	600 - 3,000 mm	600 - 3,000 mm
Cable outlet on the operating side of the ventilator, unit cable approx. 1.5 m long	-	✓	✓
Surface EV1 silver or RAL 9016 white coated (RAL special colours available on request)			

## Dimensions



Depending on the type, the required space increases due to operating elements on the unit.

## Liability

### Intended use

Any use of this product that is not in accordance with its intended use, or any adaptation of or modification to the product and its associated components for which our express consent has not been obtained, is strictly prohibited. We accept no liability whatsoever for any material losses or injury to people caused by failure to comply with this stipulation.


### Product liability

Our products are guaranteed – subject to correct installation and proper use – for a period of one year from the date of receipt by a company (according to our general terms and conditions) or as otherwise agreed, and for a period of two years for end consumers, in accordance with statutory provisions. As part of our ongoing improvements, we reserve the right to replace individual components or entire products. Consequential losses resulting from defects are excluded from the warranty within the limits of the law. The warranty shall become void if modifications that are unauthorized by us or have not been described in this documentation are performed on the product and/or individual components, or if the product and/or individual components is/are dismantled or partly dismantled, and the defect is due to the changes made.

### Exclusion of liability

The product and its components are subject to stringent quality controls. As a result, they function reliably and safely when used correctly. Our liability for consequential losses and/or claims for damages is excluded, except in the case of wilful misconduct or gross negligence, or where we are responsible for injury to life, limb or health. Strict liability under the German Product Liability Act (Produkthaftungsgesetz) remains unaffected. Liability for the culpable violation of significant contractual obligations also remains unaffected; liability in this case is limited to losses that are specific to the contract and that could have been foreseen. The above regulations do not imply a change in the burden of proof to the detriment of the consumer.

### EU Declaration of Conformity

 We, SIEGENIA-AUBI KG, declare under our own responsibility that the product complies with the provisions of Directives 2004/108/EC and 2006/95/EC of the Council of the European Union.

### Environmental protection

Although our products do not fall within the scope of the German Electrical and Electronic Equipment Act (ElektroG), SIEGENIA will continue to meet the requirements of this Act and will endeavour to completely eliminate the use of substances that are hazardous to the environment as soon as this becomes technically feasible. Electrical products should not be disposed of as household waste.



# SIEGENIA®

Head Office:  
Industriestraße 1-3  
57234 Wilnsdorf  
GERMANY

Phone: +49 271 3931-0  
Telefax: +49 271 3931-333  
info@siegenia.com  
www.siegenia.com



You can find address details for our  
international sites at: [www.siegenia.com](http://www.siegenia.com)

SIEGENIA worldwide:

**Austria** Phone: +43 6225 8301  
**Belarus** Phone: +375 17 3121168  
**Benelux** Phone: +32 9 2811312  
**China** Phone: +86 316 5998198  
**France** Phone: +33 3 89618131  
**Germany** Phone: +49 271 39310  
**Great Britain** Phone: +44 2476 622000

**Hungary** Phone: +36 76 500810  
**Italy** Phone: +39 02 9353601  
**Poland** Phone: +48 77 4477700  
**Russia** Phone: +7 495 7211762  
**South Korea** Phone: +82 31 7985590  
**Switzerland** Phone: +41 33 3461010  
**Turkey** Phone: +90 216 5934151  
**Ukraine** Phone: +380 44 4637979

---

Contact your dealer: