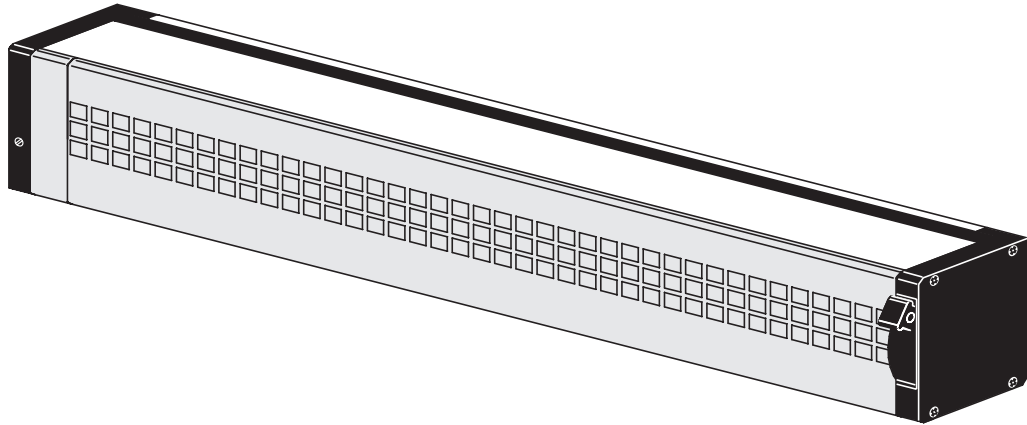


AEROMAT 80.

Sound absorbing ventilator.



Contents

Important information 3

Intended use 3

Installation 4

Unit Description 5

Operation 6

Maintenance 6

Cleaning 6

Accessories 8

Technical data 9

Dimensions 9

Liability 10

Important information

Please read the following instructions carefully before operating the unit for the first time.

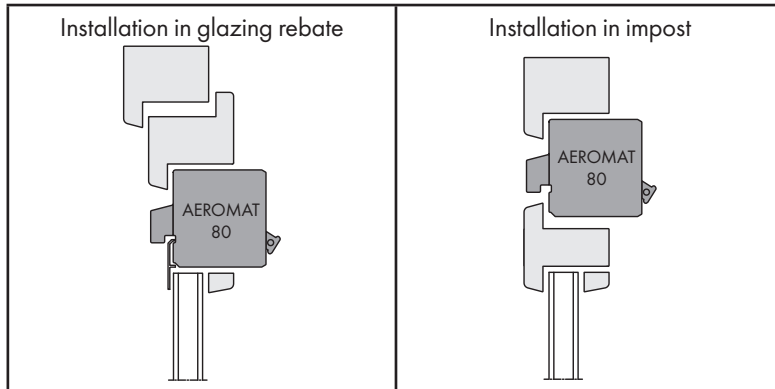
Intended use

- The AEROMAT 80 is intended for installation in the exterior windows/walls of permanent structures in accordance with our installation and design documents as well as the specifications of our installation instructions and is only suitable for the ventilation of enclosed rooms.
- The unit must always be installed by an experienced specialist, in accordance with the installation and planning documents of SIEGENIA.
- Do not use the AEROMAT 80 in environments with corrosive or explosive atmospheres (dust, vapour or gas).
- Use the AEROMAT 80 only with genuine accessories from SIEGENIA.
- Use the AEROMAT 80 only when it is in a technically sound condition. Do not modify the unit's components in any way.
- Ventilation openings must be kept free and must not be blocked by other equipment, furniture or objects.
- In the event of a fault, only have the AEROMAT 80 repaired by experienced specialists with training and practice in the repair of ventilation units.
- Any use of this product that is not in accordance with its intended use, or any adaptation of or modification to the product and its associated components for which the express consent of SIEGENIA has not been obtained, is strictly prohibited. SIEGENIA accepts no liability whatsoever for any material losses or injury to people caused by failure to comply with this stipulation.

Installation

Prerequisites for installation

- The position from which the outdoor air is drawn in must be selected in such way that any nearby emission sources have as little impact as possible on the quality of the air being drawn in.
- Installation options:



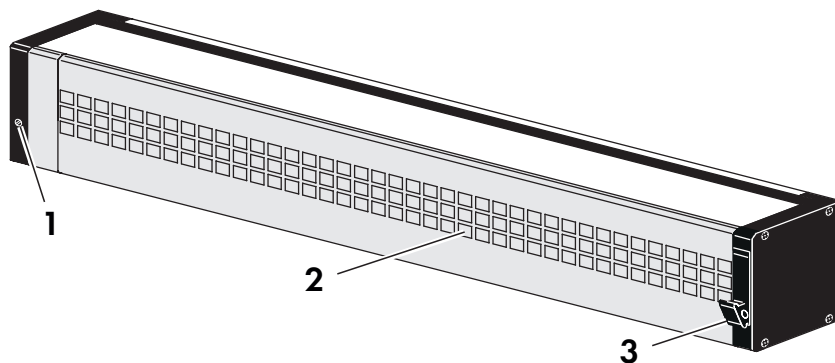
Installation sequence

1. Carefully remove AEROMAT 80 from the packaging. We recommend placing the unit on a soft surface (e.g. cardboard or blanket) during installation.
2. Close the fan flap to prevent contamination (e.g. dust) from entering the unit during installation.
3. Install the AEROMAT 80 in its intended installation position and seal it in accordance with the installation directives applicable on site.
4. Check AEROMAT 80 for cleanliness prior to its commissioning. If necessary, thoroughly clean the unit as described in our operating instructions.

Unit Description

Depending on its version, the AEROMAT 80 is delivered with left- or right-hand operating lever. On the respective opposite side, there is a small screw for the pressure setting of the fan flap.

1. Pressure setting of the fan flap
2. Fan flap (The airflow is regulated using the operating lever.)
3. Operating lever (The airflow can be continuously set using the operating lever.)



Unit properties

- Sound absorption against external noise
- Weather grille against direct snow- and rainfall
- Aluminium casing anodised or powder-coated, plastic face plates
- Thermal separation (low heat transfer via the casing)

Pressure differential operation

The room is ventilated as the indoor and outdoor air pressures are equalised.

Normally, air flows from outside into the room.

Depending on the weather conditions, the wind pressure increases the air flow into the room.

Rod operating device (optional accessory)

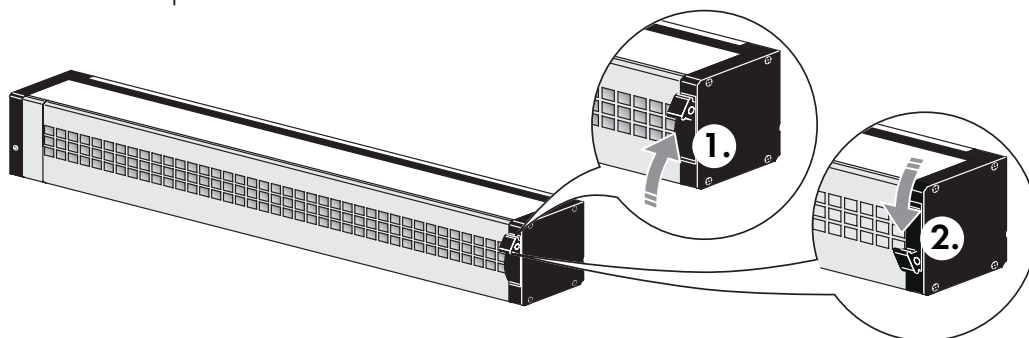
We recommend to use the rod operating device starting at an installation height of 1.80 m or higher (see chapter "Rod operating device" and "Accessories"). Do not use any inappropriate auxiliary materials to operate the unit.

Operation

You can shift the operating lever manually. We recommend to use the rod operating device for SIEGENIA at an installation height of 1.80 m and higher (see chapter "Rod operating device" and "Accessories"). Do not use any inappropriate auxiliary materials to operate the unit.

Airflow setting

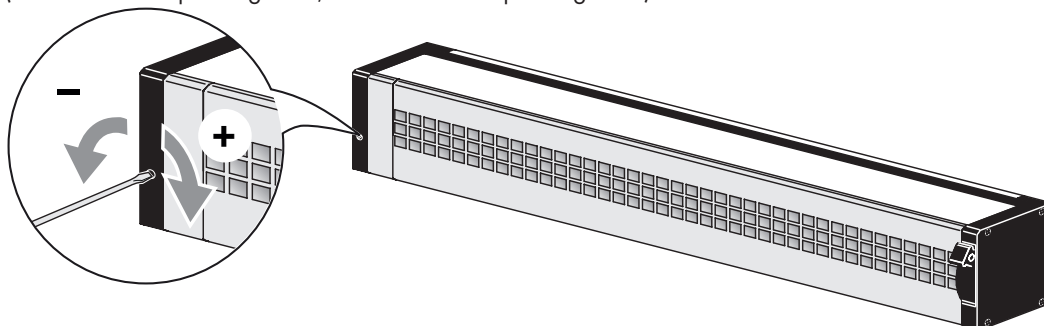
1. Open the fan flap
2. Close the fan flap



Maintenance

If you notice that the ventilator does not close properly or is difficult to open because the pressing force of the fan flap is not correct, you can adjust the pressing force by means of a small screw on the front panel of the unit.

- Slightly turn the screw into the desired direction using an appropriate screw driver.
(+ = increase the pressing force; - = decrease the pressing force)



Besides cleaning it, the AEROMAT 80 does not need any further maintenance. If there should be any disturbances, please contact SIEGENIA.

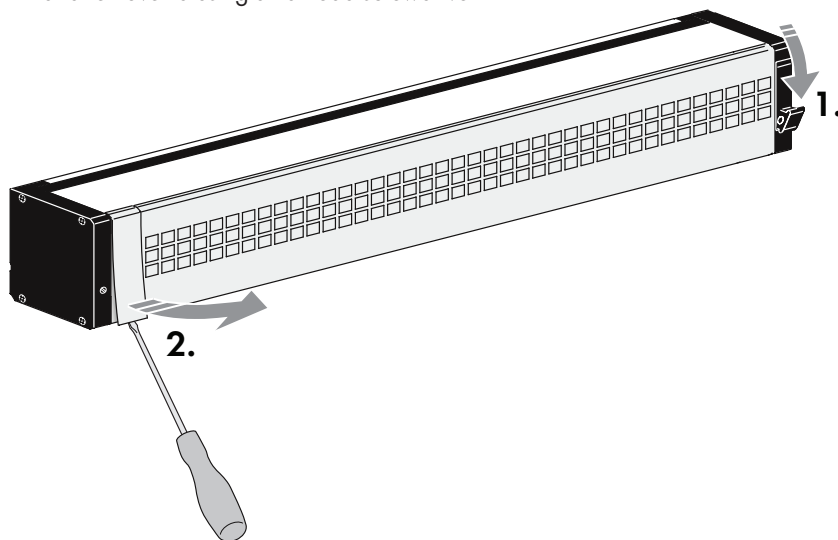
Cleaning

⚠ WARNING Caution!

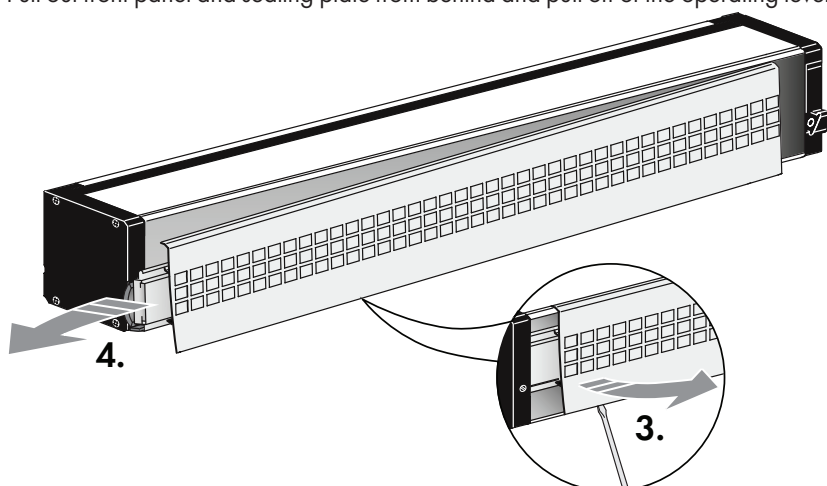
- › Only clean the AEROMAT 80 as to where the unit is accessible safely. Observe the safety regulations for ladders, steps, works in particular heights etc.
- › If required, clean the outer parts of the AEROMAT 80's housing using a suitable cloth, which has been moistened with a mild soap sud or washing-up liquid.
- › Never use cleaning agents that are aggressive or contain solvents, as these may damage the surface of the unit.

Cleaning the front plate and sealing plate

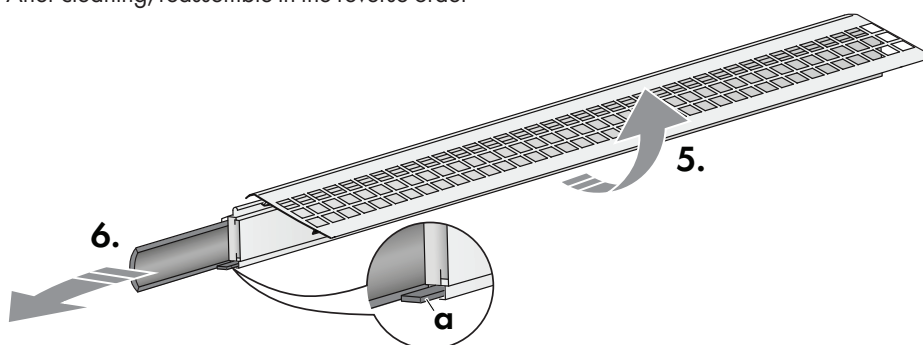
1. Close the fan flap.
2. Lift and remove lid using a flathead screwdriver



3. Lift front panel using a flathead screwdriver
4. Pull out front panel and sealing plate from behind and pull off of the operating lever



5. Lift-off sealing plate and front panel to clean
6. Remove foamed lining, if necessary
7. Make sure that the operating rod (a) does not slip out not of the sealing plate's profile.
8. After cleaning, reassemble in the reverse order



Accessories

Please indicate desired length for all accessory items (see order form AEROMAT 80).

Name	Material no.
Rod operating device, white (RAL 9016)	aer.gestaenge
Rod operating device, silver (EV 1)	
Aluminium profile 20 x 20 x 2 mm, white (RAL 9016)	aer.winkel 20x20x2
Aluminium profile 20 x 20 x 2 mm, silver (EV 1)	
Stop profile, white (RAL 9016)	aer.anschlagprofil
Stop profile, silver (EV 1)	

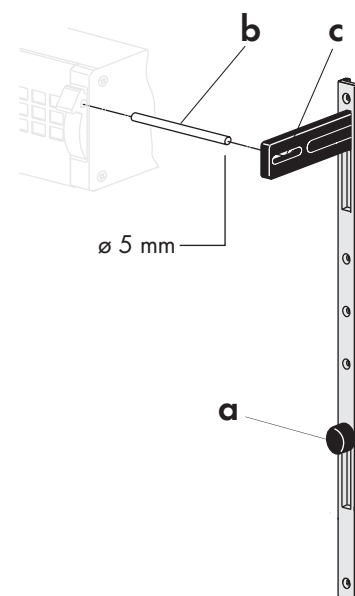
Rod operating device (optional)

The ventilator is operated used a sliding button (**a**) on the rod. You can slide the button up or down manually. The sliding button's "open" and "close" positions (or intermediate positions) correspond to the position of the operating lever on the unit. The rod is mounted on the same door or window element in which the ventilator is mounted. If the ventilator is mounted e.g. in a moveable window sash, it is essential to also attach the rod to the same sash profile.

Assemble the rod in three steps

Note: Depending on the assembly situation, the pin (**b**) and the clip (**c**) must be shortened.

1. Insert pin
 - Open the fan flap of the AEROMAT 80, thus moving the operating lever in the upper position. Insert the provided pin (**b**) in the intended bore hole in the operating lever of the AEROMAT 80.
2. Adjust rod
 - The sliding button (**a**) of the rod must be in the upper position ("Open").
 - Insert the front groove of the clip (**c**) into the pin (**b**) that is fixed above the AEROMAT 80. Push the rod against the existing profile and hold the rod with one hand.
 - Now move the sliding button (**a**) from "Open" to "Close" and adjust the rod in such way that the fan flap closes and opens completely.
3. Secure the rod
 - Directly screw the rod with wooden or self-tapping countersunk screws (provided on-site) into the existing screw holes in the adjusted position. The screw holes have the following dimensions:
 \varnothing screw hole = 3.7 mm
 \varnothing counterbore = 7.2 mm



Technical data

Specification for a AEROMAT 80	
Sound absorption ($R_{w1,9}$) ¹⁾ according to order	40 dB, 36 dB, 33dB
Air throughput ²⁾ depending on the sound absorption at 40 dB at 36 dB at 33 dB	approx. 15 m ³ /h approx. 26 m ³ /h approx. 30 m ³ /h
Air flow with closed ventilator ³⁾	$a < 1$ m ³ /h
Driving rain security ⁴⁾	Group C possible, depending on mounting position
Heat transition coefficient ⁵⁾	$k = 1.9$ W/m ² K
Casing colour	silver (EV1) anodised or white coated RAL special colours available
Colour face plates	white or black

¹⁾ Measured according to DIN 52210

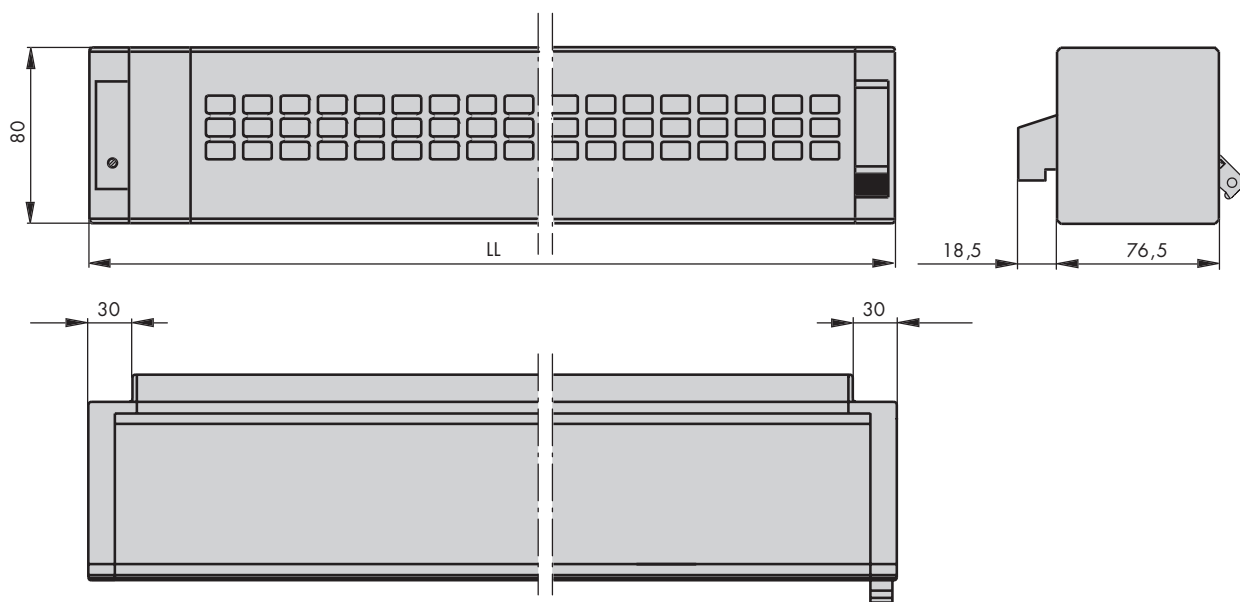
²⁾ measured at pressure differential of 10 Pa and with ventilator length of 1,200 mm

³⁾ per 1 m ventilator length and at a pressure of 10 Pa

⁴⁾ according to DIN 18055

⁵⁾ calculated according to DIN 4108

Dimensions



Ventilator length LL = 200 mm to 3,000 mm, in 1 mm increments

Liability

Intended use

Any use of this product that is not in accordance with its intended use, or any adaptation of or modification to the product and its associated components for which our express consent has not been obtained, is strictly prohibited. We accept no liability whatsoever for any material losses or injury to people caused by failure to comply with this stipulation.

Product liability

Our products are guaranteed – subject to correct installation and proper use – for a period of one year from the date of receipt by a company (according to our general terms and conditions) or as otherwise agreed, and for a period of two years for end consumers, in accordance with statutory provisions. As part of our ongoing improvements, we reserve the right to replace individual components or entire products. Consequential losses resulting from defects are excluded from the warranty within the limits of the law. The warranty shall become void if modifications that are unauthorised by us or have not been described in this documentation are performed on the product and/or individual components, or if the product and/or individual components is/are dismantled or partly dismantled, and the defect is due to the changes made.

Exclusion of liability

The product and its components are subject to stringent quality controls. As a result, they function reliably and safely when used correctly. Our liability for consequential losses and/or claims for damages is excluded, except in the case of wilful misconduct or gross negligence, or where we are responsible for injury to life, limb or health. Strict liability under the German Product Liability Act (Produkthaftungsgesetz) remains unaffected. Liability for the culpable violation of significant contractual obligations also remains unaffected; liability in this case is limited to losses that are specific to the contract and that could have been foreseen. The above regulations do not imply a change in the burden of proof to the detriment of the consumer.

SIEGENIA®

Head Office:
Industriestraße 1-3
57234 Wilnsdorf
GERMANY

Phone: +49 271 3931-0
Telefax: +49 271 3931-333
info@siegenia.com
www.siegenia.com



You can find address details for our
international sites at: www.siegenia.com

SIEGENIA worldwide:

Austria Phone: +43 6225 8301
Belarus Phone: +375 17 3121168
Benelux Phone: +32 9 2811312
China Phone: +86 316 5998198
France Phone: +33 3 89618131
Germany Phone: +49 271 39310
Great Britain Phone: +44 2476 622000

Hungary Phone: +36 76 500810
Italy Phone: +39 02 9353601
Poland Phone: +48 77 4477700
Russia Phone: +7 495 7211762
South Korea Phone: +82 31 7985590
Switzerland Phone: +41 33 3461010
Turkey Phone: +90 216 5934151
Ukraine Phone: +380 44 4637979

Contact your dealer: