

Company \_\_\_\_\_  
 Contact \_\_\_\_\_  
 Street \_\_\_\_\_  
 City/Postcode \_\_\_\_\_  
 Tel. \_\_\_\_\_  
 Fax \_\_\_\_\_

Delivery date \_\_\_\_\_

**Delivery address (if different)**

Company \_\_\_\_\_  
 Contact \_\_\_\_\_  
 Street \_\_\_\_\_  
 City/Postcode \_\_\_\_\_

Place/Date/Signature \_\_\_\_\_

**Unit type and colours**

**Unit type**

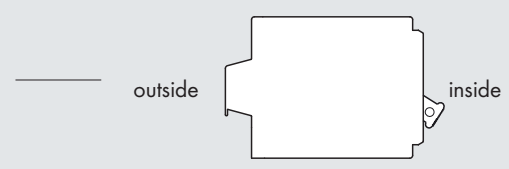
- Type D (sound absorbing ventilator, pressure differential)       Type DK (sound absorbing ventilator, pressure differential, 230 V~ electrical closing flap)

**Outside colour**

- EV1 silver       RAL 9016 white       RAL special colours

**Inside colour**

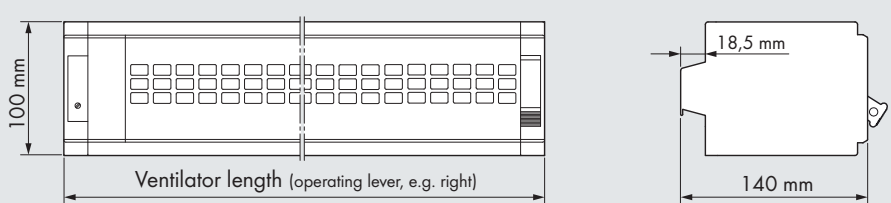
- EV1 silver       RAL 9016 white       RAL special colours



**Face caps**

- White  Black

**Dimensions**



**Ordering information for ventilator unit**

| Item  | 1   | 2   | 3   | 4   | 5   |
|---|---|---|---|---|---|
| Quantity  |   |   |   |   |   |
| Ventilator length (508 - 3000 mm)   | mm  | mm  | mm  | mm  | mm  |
| Sound absorption $R_{w10}$ in dB (39 dB or 42 dB)   |   |   |   |   |   |
| Vertical reveal installation<br><b>vertical</b> installation next to the window, viewed from inside   | Left <input type="checkbox"/><br>Right <input type="checkbox"/> | Left <input type="checkbox"/><br>Right <input type="checkbox"/> | Left <input type="checkbox"/><br>Right <input type="checkbox"/> | Left <input type="checkbox"/><br>Right <input type="checkbox"/> | Left <input type="checkbox"/><br>Right <input type="checkbox"/> |
| Position of operating lever<br><b>vertical</b> installation   | Top <input type="checkbox"/><br>Bottom <input type="checkbox"/> | Top <input type="checkbox"/><br>Bottom <input type="checkbox"/> | Top <input type="checkbox"/><br>Bottom <input type="checkbox"/> | Top <input type="checkbox"/><br>Bottom <input type="checkbox"/> | Top <input type="checkbox"/><br>Bottom <input type="checkbox"/> |
| Position of operating lever<br><b>horizontal</b> installation   | Left <input type="checkbox"/><br>Right <input type="checkbox"/> | Left <input type="checkbox"/><br>Right <input type="checkbox"/> | Left <input type="checkbox"/><br>Right <input type="checkbox"/> | Left <input type="checkbox"/><br>Right <input type="checkbox"/> | Left <input type="checkbox"/><br>Right <input type="checkbox"/> |
| Weather grille  |   |   |   |   |   |
| Stop profile  | <input type="checkbox"/>  | <input type="checkbox"/>  | <input type="checkbox"/>  | <input type="checkbox"/>  | <input type="checkbox"/>  |
| Deduction dimension for frame overhang, if required [see dimension <b>A</b> , drawing below (page 2)] | _____ mm  | _____ mm  | _____ mm  | _____ mm  | _____ mm  |
| Additional ventilation opening (from ventilator length of 1400 mm)                                    | <input type="checkbox"/>  | <input type="checkbox"/>  | <input type="checkbox"/>  | <input type="checkbox"/>  | <input type="checkbox"/>  |
| Volumetric flow limiter   | <input type="checkbox"/>  | <input type="checkbox"/>  | <input type="checkbox"/>  | <input type="checkbox"/>  | <input type="checkbox"/>  |

**Bracket (20mm x 20 mm x 2 mm)**

**Attention!** Brackets may only be installed in the mounting area

- Installation in impost       Glazing rebate fitting

**Mounting situation, bracket, top**

- Loose       Mounted, dimension **Y** \_\_\_\_\_ mm

**Mounting situation, bracket, side**

- Loose       Mounted

**Mounting situation, bracket, bottom**

- Loose       Mounted, dimension **GA** \_\_\_\_\_ mm

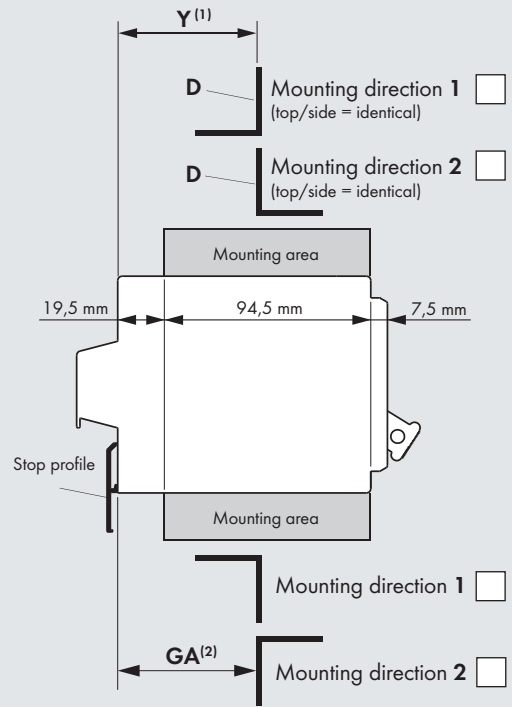
**Mounting direction** (please insert a cross on drawing)

**Bottom bracket, shortened by dimension A** (see drawing below)

- Yes       No

**Further information**

- Pre-drilled to  $\varnothing$  4.2 mm (see drawing, item D)



<sup>(1)</sup> Y = rebate width minus seal thickness (when mounted)

<sup>(2)</sup> GA = glass absorption (observe seal thickness)

**Rod**

pieces

**Colour of rod**

- EV1 silver       RAL 9016 white
- RAL special colours \_\_\_\_\_

**Colour of PVC parts**

- White       Black

**Rod length**

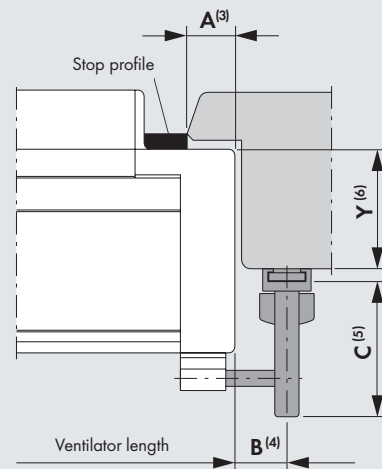
- 600 mm       1000 mm
- 800 mm       \_\_\_\_\_ mm (in 50 mm increments)

**Pin and clip length, standard**

- Pin length = 100 mm; clip length = 135 mm

**Pin and clip length, alternative (customised)**

- B** \_\_\_\_\_ mm (min. 8 mm/max. 80 mm)       **Y** \_\_\_\_\_ mm



<sup>(3)</sup> A = deduction dimension for frame overhang

<sup>(4)</sup> B + 22 = pin length (rod)

<sup>(5)</sup> C = clip length (rod) = 91 - Y

<sup>(6)</sup> Y = rebate width minus seal thickness (when mounted)