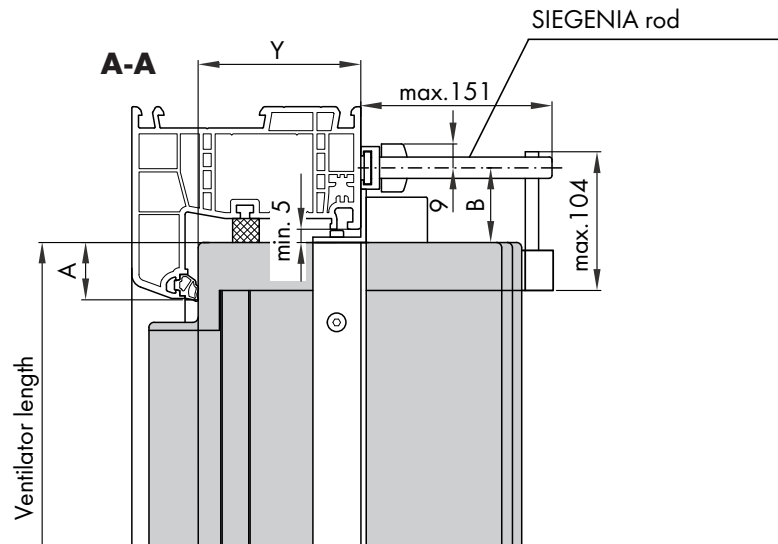
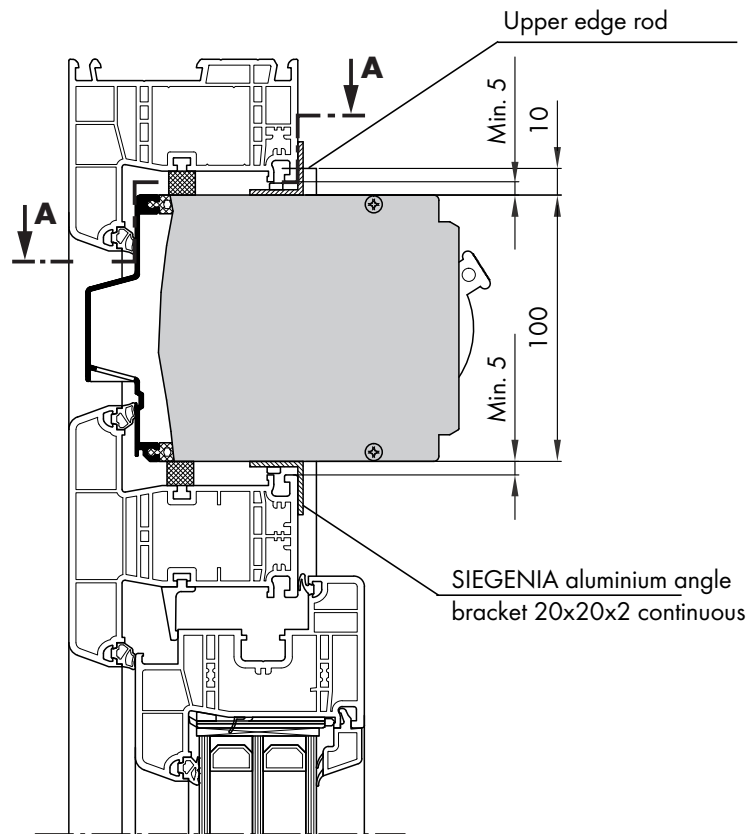


# AEROMAT 100


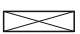
Sound absorbing ventilator

## Installation suggestion

Installation in window or sill



- A = deduction dimensions stop profile
- B+22 = pin length rod (B = min. 28 mm / max. 80 mm)
- Y = rebate width minus seal thickness
- Operating shown on right

	Pre-compressed sealing tape		Distance block
-------------------------------------------------------------------------------------	-----------------------------	-------------------------------------------------------------------------------------	----------------

Technical specifications and colours are subject to change.

H43.FENSI/AU0006EN/0

**SIEGENIA**  
SOLUTIONS INSIDE

Hardware and ventilation technology  
Duisburger Straße 8  
57234 Wilnsdorf  
GERMANY

Phone: +49 271 3931-0  
Telefax: +49 271 3931-172  
info@siegenia.com  
www.siegenia.com

Last update: 05.2014