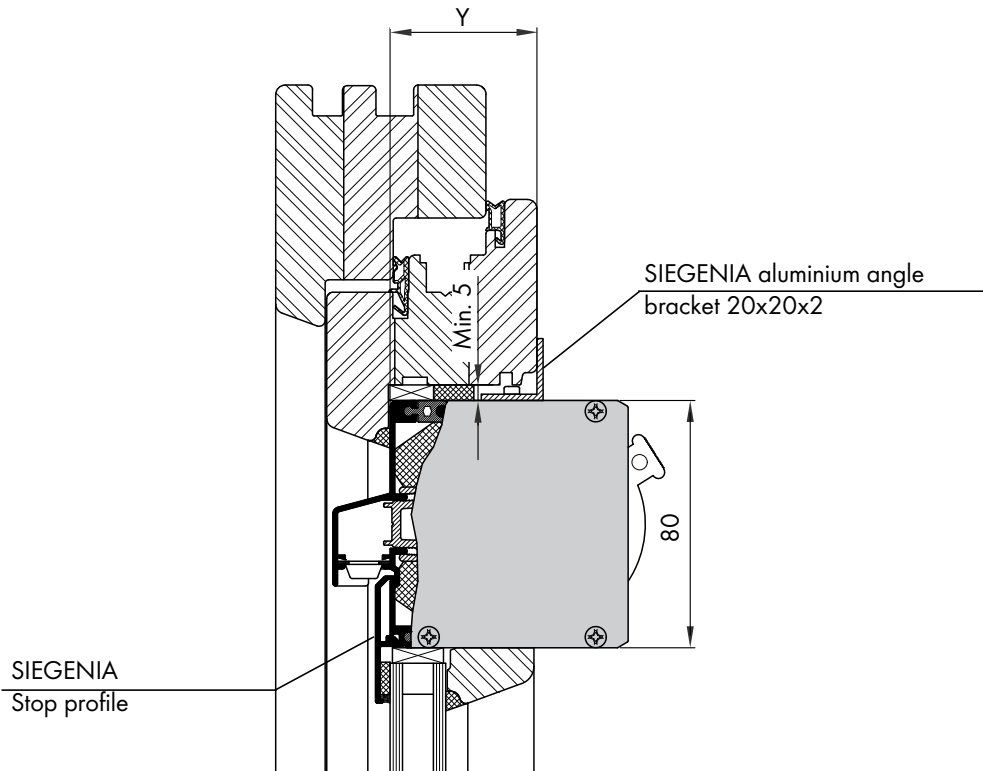


AEROMAT 80

Sound absorbing ventilator

Installation suggestion

Installation in glazing rebate vertical (timber)



Y = rebate width minus seal thickness

	Distance block	
	Pre-compressed sealing tape	
		Permanently elastic sealing compound

Technical specifications and colours are subject to change.

H43.FENSIJU0003EN/0

SIEGENIA
SOLUTIONS INSIDE

Hardware and ventilation technology
Duisburger Straße 8
57234 Wilnsdorf
GERMANY

Phone: +49 271 3931-0
Telefax: +49 271 3931-172
info@siegenia.com
www.siegenia.com

Last update: 05.2014