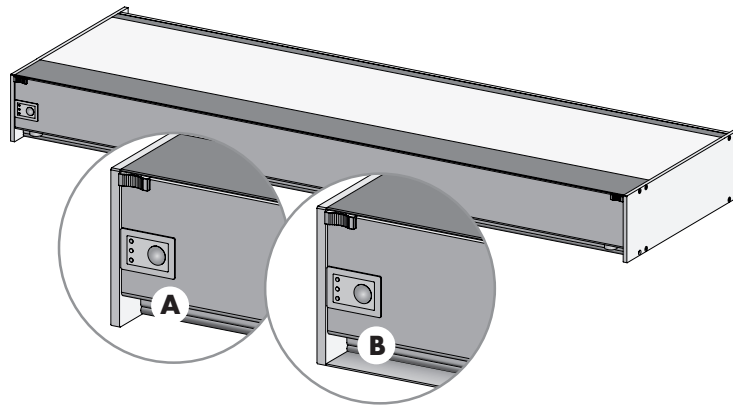


Sound absorbing ventilator with heat recovery



Application

The AEROMAT VT WRG 1000 is a ventilation unit for installation:

- horizontally, above or below window elements
- vertically, between the window frame and masonry
- horizontally or vertically in the head or sill (on request)

Function

- The AEROMAT VT WRG 1000 is a sound absorbing ventilator with two electric blowers and a heat exchanger. It provides ventilation for interiors while also providing heat recovery.

Unit properties

- Ventilation with heat recovery
- Supply air filter F7 and exhaust air filter G3 (alternatively with insect grille)
- Optional accessory: Outside air filter NOx F7 and exhaust air filter G3
- Manually and continuously adjustable slider
- With a short casing profile A or long casing profile B depending on the installation location
- 3-stage blower + automatic mode (optional: for units with sensors)
- Membrane key with LED display (indicating operating status, filter replacement and malfunctions)
- Recommended sensors (optional):
 - Air humidity and temperature sensor
 - Frost protection control
 - Air quality sensor
- Optional: Version in accordance with VDI 6022
- AEROMAT VT WRG 1000 smart:
 - Simple operation via smartphone or tablet using the SIEGENIA Comfort app*
 - Continuous control of the blower performance
 - Filter change indicator and reset of the filter change indicator (after filter has been replaced)
 - Display of the inside and outside temperature in °C (depending on device equipment)
 - Display of the inside and outside air humidity in % (depending on device equipment)
 - Air quality display (depending on device equipment)
 - Automatic mode (depending on device equipment)

*Notes on compatibility at www.siegenia.com/qr/comfort-app/faq

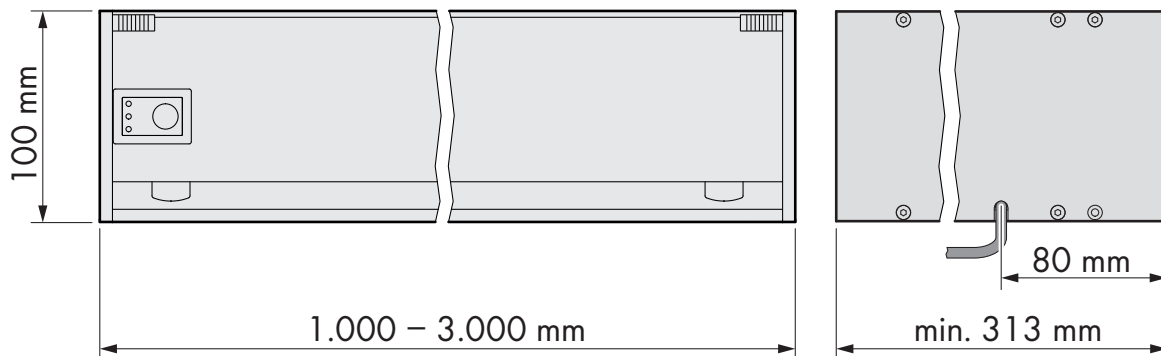
Technical specifications

The values can vary according to the specific equipment configuration.¹⁾

	AEROMAT VT WRG 1000			
	Var. 1	Var. 2	Var. 3	Var. 4
Sensors	–	✓	–	✓
WLAN module	–	–	✓	✓
Sound absorption (with sliders open) ²⁾	$R_{w-1.9} = 47 \text{ dB}$ $D_{n,e,w} = 54 \text{ dB}$			
Max. permissible area load per linear metre of ventilator length	1,000 kg			
Heat transition coefficient ³⁾	$U = 0.55 \text{ W/m}^2\text{K}$			
Permissible operating temperature	- 15 °C to +40 °C			
Outside air filter (if present)	F7, 124 x 90 mm			
Exhaust air filter (if present)	G3, 190 x 87 mm			
Effective air throughput (with filter)				
With blower level 1	approx. 22 m ³ /h			
With blower level 2	approx. 38 m ³ /h			
With blower level 3 (power level)	approx. 52 m ³ /h			
Heat recovery efficiency ⁴⁾	max. 62%			
Inherent noise ⁵⁾				
at blower level 1	$L_{pA} = \text{approx. } 24 \text{ dB(A)}$			
With blower level 2	$L_{pA} = \text{approx. } 36 \text{ dB(A)}$			
With blower level 3 (power level)	$L_{pA} = \text{approx. } 43 \text{ dB(A)}$			
Supply voltage	230 V~			
Unit operating voltage	24 V ===			
Power consumption				
With blower level 1	5 W			
With blower level 2	11 W			
With blower level 3 (power level)	24 W			
Mains supply	230 V~ / 50 Hz			
Protection class II	✓			
Thermal protection in transformer	✓			
Length of connecting cable	1.50 m or 5 m			

¹⁾ Technical specifications according to WRG module
²⁾ Measured in accordance with DIN EN 10140-2 at an overall depth of 320 mm
³⁾ Calculated in accordance with DIN EN ISO 6946
⁴⁾ Based on EN 308
⁵⁾ Measured in accordance with DIN EN ISO 3745 (with room insulation 8 db)

Dimensions



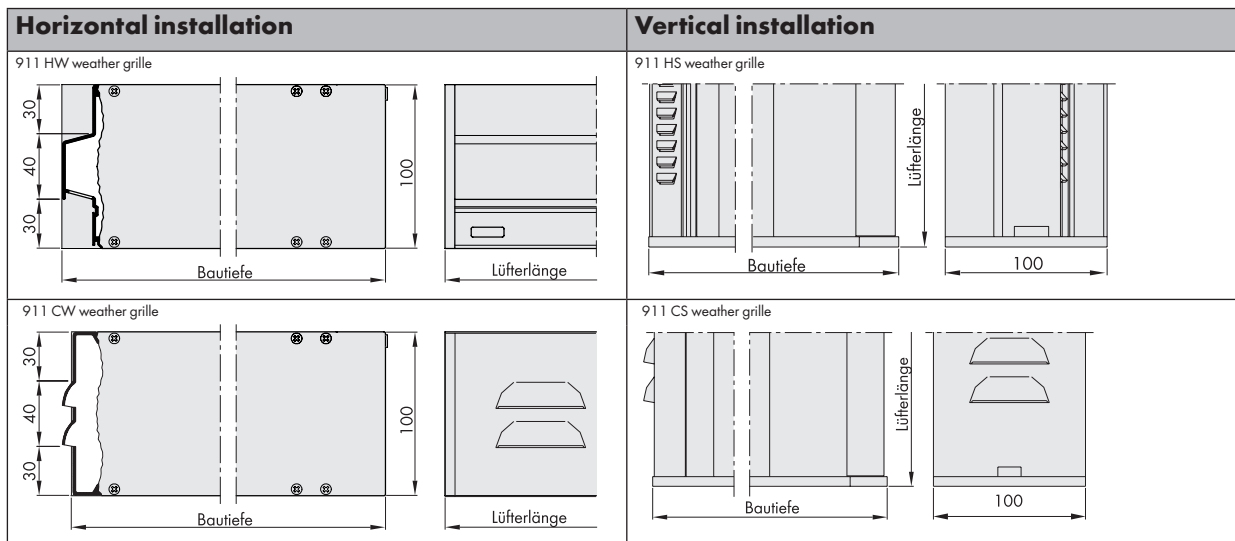
Product data sheet (in accordance with EU Regulation 1254/2014)

a	Manufacturer	SIEGENIA			
b	Model identification	AEROMAT VT WRG 1000			
		Var. 1	Var. 3	Var. 2	Var. 4
c	Energy consumption (SEV); Energy efficiency class (SEV class) (according to climatic zone warm / average / cold)	-3.6 kWh/(m ² · a); F -21 kWh/(m ² · a); D -51.5 kWh/(m ² · a); A+		-11.2 kWh/(m ² · a); E -32 kWh/(m ² · a); B -68.2 kWh/(m ² · a); A+	
d	Type	WLA / ZLA			
e	Type of drive	Multi-stage drive			
f	Heat recovery system	Recuperative			
g	Degree of temperature change	51 %			
h	Highest air flow rate	52 m ³ /h			
i	Electrical input power	24 W			
j	Noise level	44 dB (A)			
k	Relative air flow rate	38 m ³ /h			
l	Relative pressure differential	-			
m	Specific input power	0.3 W/(m ³ /h)			
n	Control factor / control typology	1.21 / 1		1.21 / 0.65	
o	Highest degree of inner and outer leakage rate (inner / outer leakage)	3.6 % / 5.8 %			
p	Mix rate (inner area / outer area)	9 % / -1 %			
q	Instructions for replacing filter	See original operating instructions (H47.FENSO37EN)			
r	Instructions for the mounting of outside air / exhaust air grilles (for one-directional ventilation units)	-			
s	Instructions for dismantling	-			
t	Pressure fluctuation sensitivity of the air flow (at +20 Pa and -20 Pa)	10 % / 10 %			
u	Air tightness between inside and outside	2.6 m ³ /h			
v	Annual power consumption	4.6 kWh/a		2.6 kWh/a	
w	Annual saving of heating energy (according to climatic zone warm / average / cold)	14.4 kWh/a 31.8 kWh/a 62.3 kWh/a		17.1 kWh/a 37.8 kWh/a 74 kWh/a	

Accessories

Designation	Contents	Material number
Filter set AEROMAT VT WRG 1000	1x outside air filter F7 1x exhaust air filter G3 1x retaining spring	L4270030-093010
Filter set NOx filter F7 (nitrogen dioxide, fine dust, pollen)	1x outside air filter NOx F7 1x exhaust air filter G3 1x retaining spring	L4270050-099010
Switch UP type:VT WHITE	1x series switch Type VT	131322

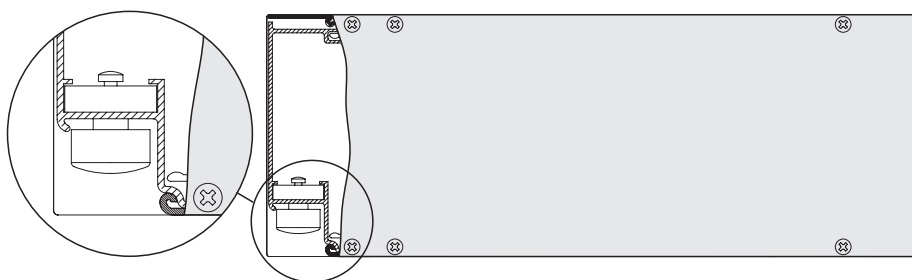
Weather grille variants



Casing profile variants

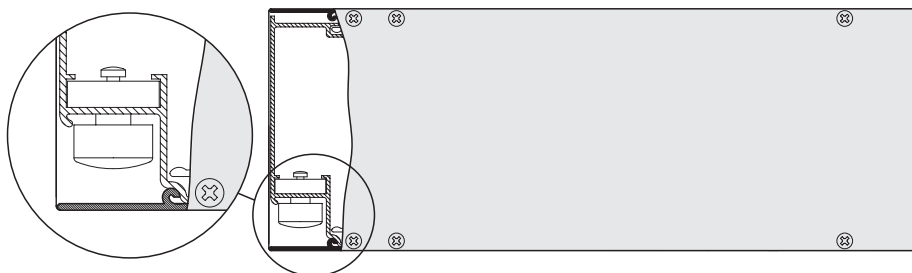
A: Short casing profile

Installation suggestion:
Installation vertically in the reveal or window lintel



B: Long casing profile

Installation suggestion:
Installation in the window sill area



SIEGENIA[®]
brings spaces to life

Hardware and ventilation technology
Duisburger Straße 8
57234 Wilnsdorf
GERMANY

Phone: +49 271 3931-0
Telefax: +49 271 3931-172
info@siegenia.com
www.siegenia.com



You can find address details for our international sites at: www.siegenia.com

SIEGENIA worldwide:

- Austria** Phone: +43 6225 8301
- Belarus** Phone: +375 17 3121168
- Benelux** Phone: +32 9 2811312
- China** Phone: +86 316 5998198
- France** Phone: +33 3 89618131
- Germany** Phone: +49 271 39310
- Great Britain** Phone: +44 2476 622000

- Hungary** Phone: +36 76 500810
- Italy** Phone: +39 02 9353601
- Poland** Phone: +48 77 4477700
- Russia** Phone: +7 495 7211762
- South Korea** Phone: +82 31 7985590
- Switzerland** Phone: +41 33 3461010
- Turkey** Phone: +90 216 5934151
- Ukraine** Phone: +380 44 4637979