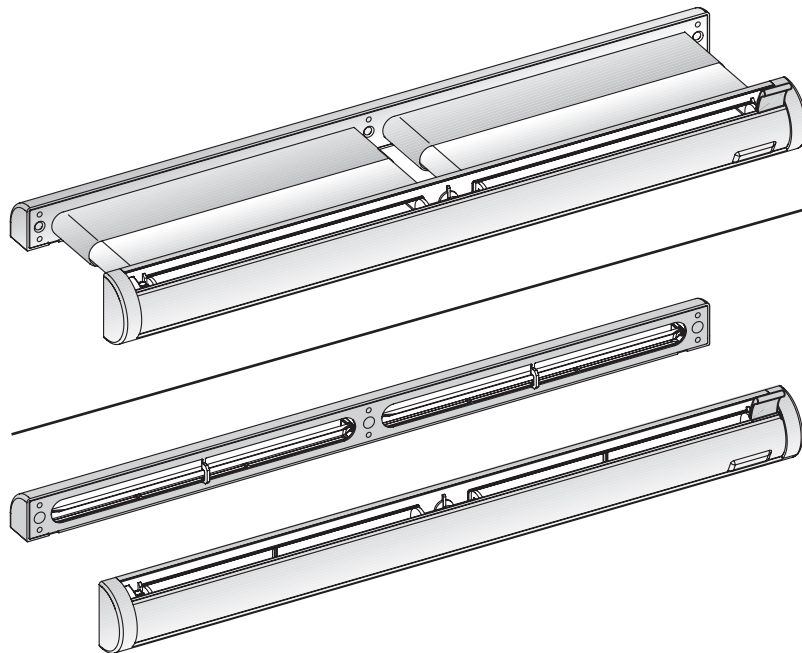


Window-mounted ventilator with optional sound absorption



### Application

- Suitable for timber, PVC and aluminium windows and French doors
- Installation above in the horizontal profile section
- When installing always ensure that the air passages are kept clear so that the fan can fulfil its function. Implementation of window systems tests is recommended.
- You can find more information on correct usage in the assembly instructions (H39.FENSIAU0010DE\_EN).

### Function

- The AEROMAT midi is a window-mounted passive ventilator for the ventilation of closed rooms that works by equalising pressure between indoor and outdoor air (pressure differential principle).

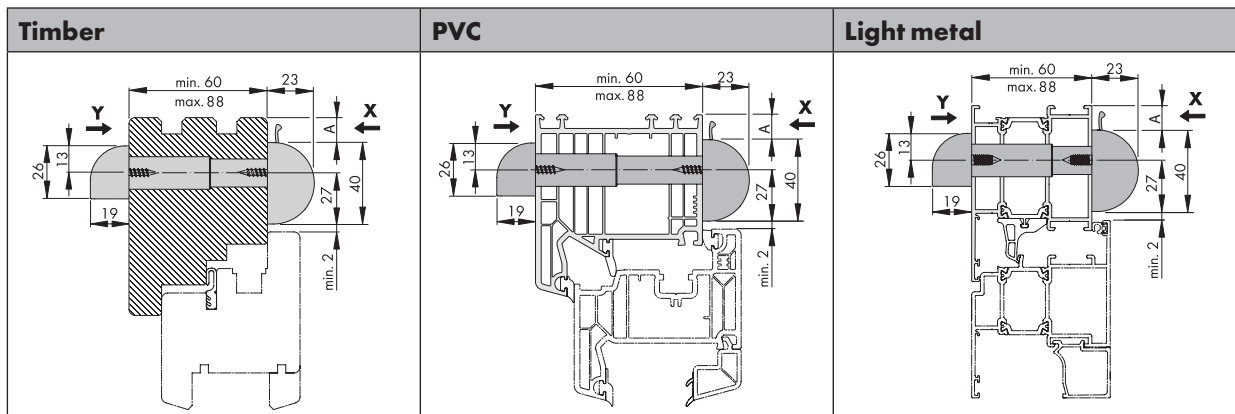
### Features

- Optionally with or without air duct
- With optional exterior or interior sound absorption

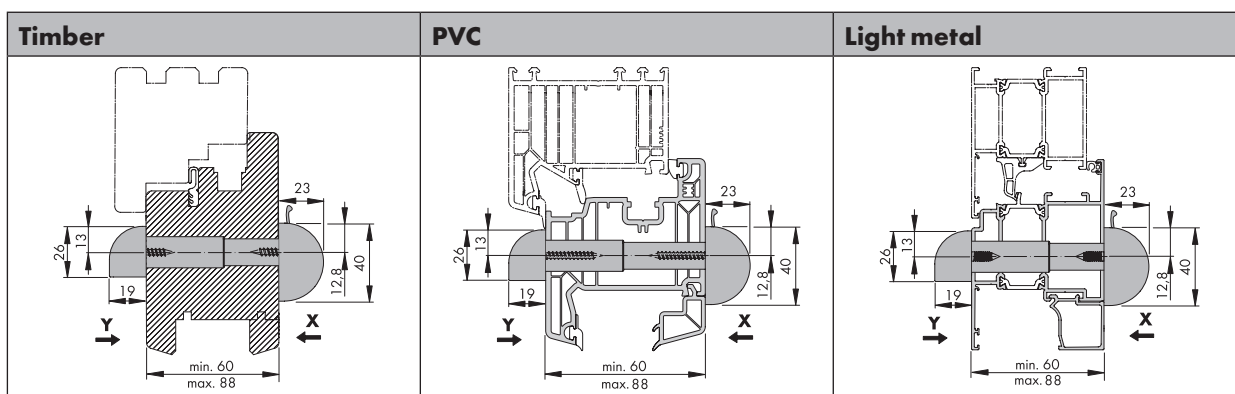
### Installation variants closure and weather grille

#### Installation variant 1: Installation in the frame – version with channel

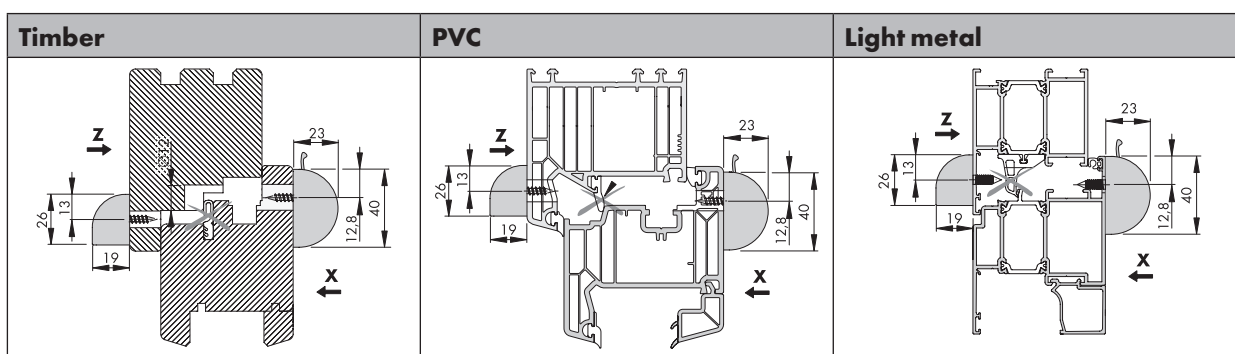
**Caution:** A frame clearance dimension (dimension **A**) of at least 7 mm is necessary for assembly and disassembly.



#### Installation variant 2: Installation in the sash – version with channel



#### Installation variant 3: Installation in the sash and frame – version without channel

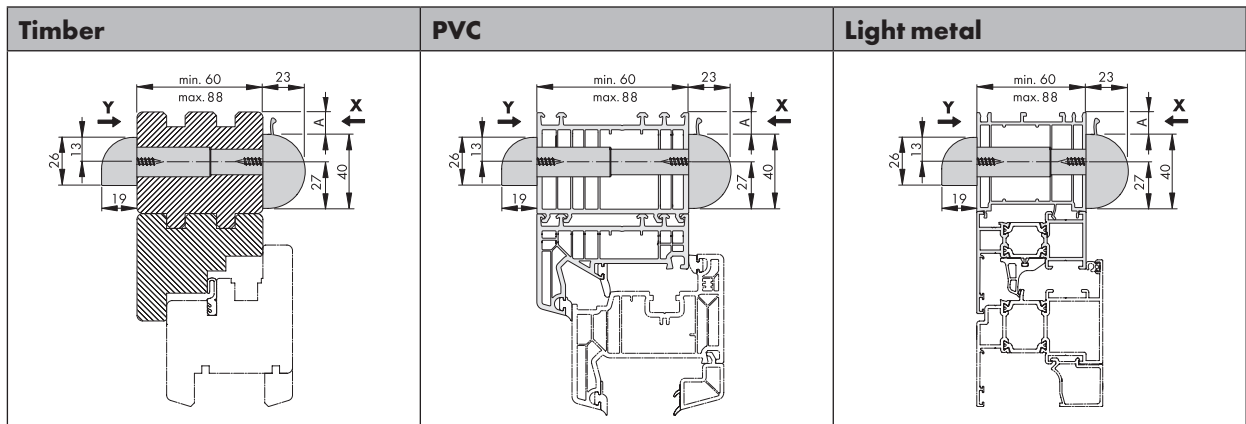


All dimensions in mm.

**Installation variant 4: Installation in the support profile – version with channel**

This variant is recommended if narrow frame profiles are used.

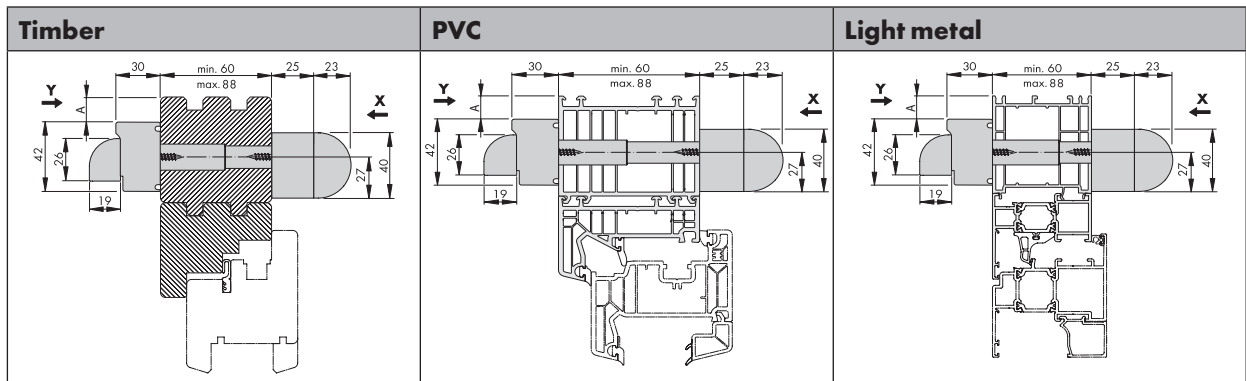
**Caution:** A frame clearance dimension (dimension **A**) of at least 7 mm is necessary for assembly and disassembly



**Dimensions with sound absorption module**

**Example of installation in the support profile – version with channel**

**Caution:** A frame clearance dimension (dimension **A**) of at least 7 mm is necessary for assembly and disassembly



All dimensions in mm.

## Technical data

Specifications for a AEROMAT midi		
Suitable window materials		PVC, timber, timber-light metal, light metal
Installation on		Window sash, window frame, window sash and frame
Version		With butterfly valve
Ventilator can be closed		Yes
Volumetric flow limiter		Yes
Material		ASA
Colour		White, UV-resistant
(approx.) air flow <sup>1)</sup> at	2 Pa	13 m <sup>3</sup> /h
	4 Pa	18 m <sup>3</sup> /h
	5 Pa	21 m <sup>3</sup> /h
	7 Pa	25 m <sup>3</sup> /h
	8 Pa	26 m <sup>3</sup> /h
	10 Pa	30 m <sup>3</sup> /h
Coefficient of thermal transmittance		1,5 W/m <sup>2</sup> K
Standard noise-level difference $D_{n,e,w}$		35 dB
Standard noise-level difference $D_{n,e,w}$ with interior sound absorption		38 dB
Standard noise-level difference $D_{n,e,w}$ with exterior sound absorption		37 dB
Standard noise-level difference $D_{n,e,w}$ with interior and exterior sound absorption		41 dB
With sound absorption module inside		417 mm x 40 mm x 25 mm (L x W x D)
With sound absorption module outside		417 mm x 42 mm x 30 mm (L x W x D)
Milling dimensions (30 mm centre bar)		2x 172 mm x 16 mm

<sup>1)</sup> measured independent of profile and hardware

**SIEGENIA**<sup>®</sup>  
brings spaces to life

Hardware and ventilation technology  
Duisburger Straße 8  
57234 Wilnsdorf  
GERMANY

Phone: +49 271 3931-0  
Telefax: +49 271 3931-172  
info@siegenia.com  
www.siegenia.com



You can find address details for our international sites at: [www.siegenia.com](http://www.siegenia.com)

SIEGENIA worldwide:

**Austria** Phone: +43 6225 8301  
**Belarus** Phone: +375 17 3121168  
**Benelux** Phone: +32 9 2811312  
**China** Phone: +86 316 5998198  
**France** Phone: +33 3 89618131  
**Germany** Phone: +49 271 39310  
**Great Britain** Phone: +44 2476 622000

**Hungary** Phone: +36 76 500810  
**Italy** Phone: +39 02 9353601  
**Poland** Phone: +48 77 4477700  
**Russia** Phone: +7 495 7211762  
**South Korea** Phone: +82 31 7985590  
**Switzerland** Phone: +41 33 3461010  
**Turkey** Phone: +90 216 5934151  
**Ukraine** Phone: +380 44 4637979