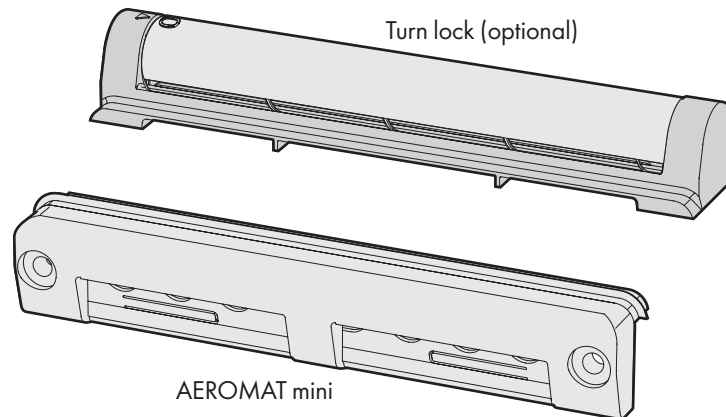


Window ventilator with optional turn lock

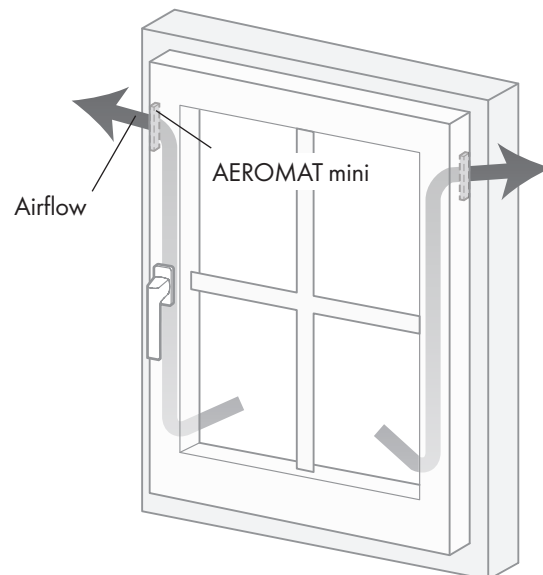


Application

- Suitable for timber, PVC and aluminium windows and patio doors.
- Installation horizontally in the top and vertically in the side frame rebate.
- During installation, ensure that the air ducts are always free so that the ventilator will be able to fulfil its function. The performance of window system testing is recommended.
- Further information concerning the intended use can be found in the assembly and operating instructions (H39.FENS006EN).

Function

- The AEROMAT mini is a passive air ventilator for installation in the upper third of the window. The room is ventilated as the indoor and outdoor air pressures are equalised (pressure differential). Normally, air flows from outside into the room.
- In event of wind pressure (e.g. storm) the self-regulating flow control reduces an excessive air flow or draught indoors.
- The AEROMAT mini in connection with motorised ventilation units is only conditionally suitable as an outlet for exhaust and supply air. An inspection of the entire system, according to the ventilation concept, must be carried out prior to installation.
- With optional turn lock for manual opening and closing of the air supply.



Technical specifications

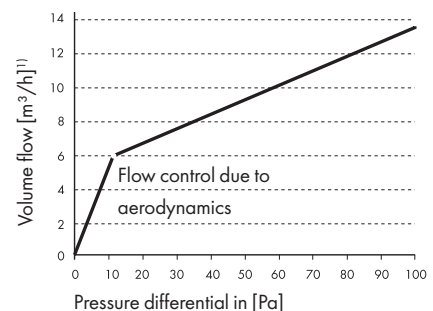
AEROMAT mini	
(approx.) air flow	for 2 Pa up to 2 m ³ /h ¹⁾ for 4 Pa up to 3 m ³ /h ¹⁾ for 8 Pa up to 5 m ³ /h ¹⁾ for 10 Pa up to 6 m ³ /h ¹⁾
Dimensions (W x H x D)	125 mm x 21.3 mm x 16.4 mm
Turn lock	
Dimensions (W x H x D)	125 mm x 18 mm x 22.5 mm

Performance diagram

Maximum performance data of the AEROMAT mini without influence of the window

Sound absorption in accordance with ISO 140-10:1991-12

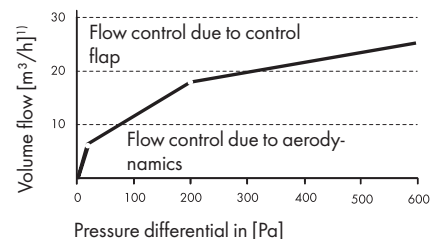
Test results: on the assumption of a sound absorption of the window of 42 dB, this can be reduced by 1–2 dB with the use of a AEROMAT mini and by 3 dB with the use of two AEROMAT mini. The turn lock has no effect on sound absorption.



Throughput data of the AEROMAT mini in the window

Example: PVC window, medium sealing system, RAM: 1230 x 1480 mm

Volume flow of the AEROMAT mini as independently regulating passive air ventilator (ALD) with upper flow control.



Ordering information

Material description	Colour	Packaging unit	Material number
AEROMAT mini, Standard ^{2) 3)}	RAL 9016 white	25 units	L4210100-004040
AEROMAT mini, leg 2.5 mm ^{2) 3)}	RAL 9016 white	25 units	L4210110-004040
AEROMAT mini, leg 5 mm ^{2) 3)}	RAL 9016 white	25 units	L4210120-004040
Turn lock ^{3) 4) 5)}	RAL 9016 white	25 units	L4210050-004040
	Si-silver	25 units	L4210130-025040
Jig: drilling jig PVC/timber	-	1 unit	L4210080-522010
Jig: drilling jig LM	-	1 unit	L4210090-522010
Jig: routing template timber for 9 mm groove axis	-	1 unit	L4210070-522010
Jig: routing template timber, for 13 mm groove axis	-	1 unit	L4210210-522010

¹⁾ when installed in pairs independently of profile and hardware

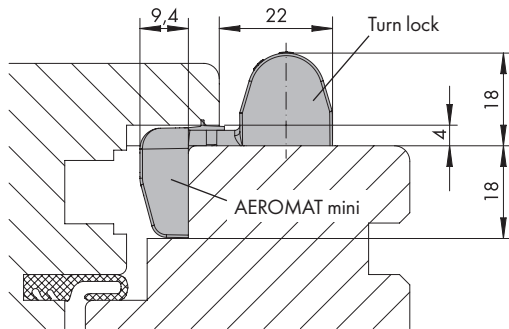
²⁾ see AEROMAT mini profile data list

³⁾ From quantities starting at 3,000 pieces, special colours (through-colour, similar to RAL) are available at a surcharge (with the exception of red, orange, Terra and metallic shades)

⁴⁾ From quantities starting at 1,000 pieces, special colours (painted, all RAL colours) are available at a surcharge

⁵⁾ A limit stay of 90° must be installed for aluminium windows with LM hardware and a surface-mounted hinge side.

Positioning on the frame



Profile allocation

Unit type	Scheme AEROMAT mini in frame (profile diagram symbolic)		
	PVC profile	Aluminium profile	Timber profile
AEROMAT mini; Standard (Mat. no. L4210100-004040)			
AEROMAT mini; leg 2.5 mm (Mat. no. L4210110-004040)			
AEROMAT mini; leg 5 mm (Mat. no. L4210120-004040)			

Aluminium frame groove dimensions

A0004	A0006	A0016	A0022

Profile data list

PVC profiles

Manufacturer	Profile system	AEROMAT mini	Material number
Alphacan	Alphacan Alpha 70 Alpha 80	Standard	L4210100-004040
	Profilia MD	Leg 5 mm	L4210120-004040
Aluplast	Ideal 1000 Ideal 2000 Ideal 3000 Ideal 4000 Ideal 5000 Ideal 6000 Ideal 7000 Ideal 8000	Standard	L4210100-004040
Brökelmann ALU mit KF-Nut	Serie RG 75	Standard	L4210100-004040
Deceuninck	Mondial 2000 Mondial 2100 Classic Zendow	Standard	L4210100-004040
Dimex	Accord Contour 7.0 AD Elegance 8.0 AD Komfort	Standard	L4210100-004040
Gealan	S8000 S7000 Hilzinger S3000	Standard	L4210100-004040
Horizont	PS penta	Standard	L4210100-004040
Inoutic	Exclusive	Standard	L4210100-004040
	Prestige AD Deluxe Elite Arcade MD100	Leg 5 mm	L4210120-004040
KBE	MD	Leg 2,5 mm	L4210110-004040
	AD AD 70 mm MD 70 mm	Standard	L4210100-004040
Kömmerling	EuroFutur Elegance EuroFutur Classic Eurodur 3S K-Vision 88+	Standard	L4210100-004040

Manufacturer	Profile system	AEROMAT mini	Material number
LB-Profile	PAD PCD AD PCD MD PAD Contour	Standard	L4210100-004040
LG-Profile	LG-Profil	Standard	L4210100-004040
Rehau	Brillant-Design S735 S796 Basic-Design Thermo-Design Thermo-Design 70 Geneo AD Geneo MD	Standard	L4210100-004040
Roplasto	6001 Plus S AD	Leg 2,5 mm	L4210110-004040
	6001 Plus S MD 7001 AD 7001 MD	Standard	L4210100-004040
Salamander	Design 2D Design 3D Streamline Brügmann AD Brügmann MD Design MD Design 3D S BluEvolution	Standard	L4210100-004040
Schüco	Corona CT 70 AS/MD Corona AS 60 2-Kammer Corona AS 60 3-Kammer Corona SI 82 LivIng	Standard	L4210100-004040
Trocac	System 88 mm Serie 900 InnoNova 2000	Leg 2,5 mm	L4210110-004040
	Confort InnoNova 70 AD InnoNova 70 MD K-trend	Standard	L4210100-004040

Manufacturer	Profile system	AEROMAT mini	Material number
Veka	Topline AD Topline MD Softline 70 Swingline Topline Plus Softline AD Softline MD Softline AD 13 Softline MD 70 Alphaline 90 MD	Standard	L4210100-004040
Wymar	2500 3000 2000	Standard	L4210100-004040

Timber profiles

Profile system	AEROMAT mini	Material number
Euro rebate 18/8-12/18-9 Euro rebate 18/8-12/20-9 Euro rebate 20/8-12/18-9 Euro rebate 20/8-12/20-9 Euro rebate 24/8-12/18-13 Euro rebate 24/8-12/20-13 Eurogroove 7/8x4-12/18-9 FT18 Eurogroove 7/8x4-12/20-9 FT18 Eurogroove 7/8x4-12/18-9 FT20 Eurogroove 7/8x4-12/20-9 FT20 Eurogroove 11/8x4-12/18-13 Eurogroove 11/8x4-12/20-13	Standard	L4210100-004040

Aluminium profiles

Profile system	AEROMAT mini	Material number
A0004	Leg 5 mm	L4210120-004040
A0006 A0016 A0022	Standard	L4210100-004040

IEGENIA®
brings spaces to life

Hardware and ventilation technology
Duisburger Straße 8
57234 Wilnsdorf
GERMANY

Phone: +49 271 3931-0
Telefax: +49 271 3931-172
info@siegenia.com
www.siegenia.com



You can find address details for our international sites at: www.siegenia.com

IEGENIA worldwide:

Austria Phone: +43 6225 8301
Belarus Phone: +375 17 3121168
Benelux Phone: +32 9 2811312
China Phone: +86 316 5998198
France Phone: +33 3 89618131
Germany Phone: +49 271 39310
Great Britain Phone: +44 2476 622000

Hungary Phone: +36 76 500810
Italy Phone: +39 02 9353601
Poland Phone: +48 77 4477700
Russia Phone: +7 495 7211762
South Korea Phone: +82 31 7985590
Switzerland Phone: +41 33 3461010
Turkey Phone: +90 216 5934151
Ukraine Phone: +380 44 4637979