

Application

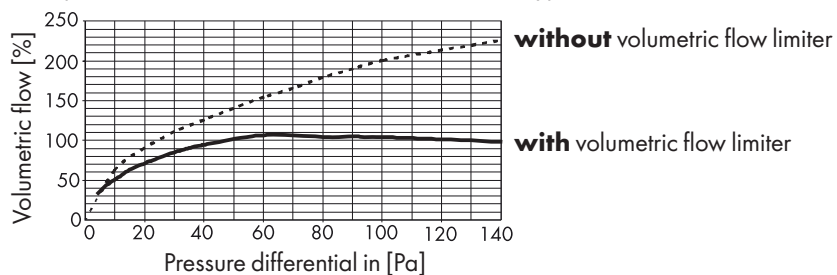
- The AEROMAT 100 is a ventilation unit for installation in:
 - timber, PVC or aluminium elements
 - the glazing rebate of a window sash (installation information: it is essential to install a limit stay)
 - in the impost, horizontally (with weather grille 911 HW)
 - in the impost, vertically (with weather grille 911 HS)

Function

- The AEROMAT 100 provides ventilation for interior rooms.
- The room is ventilated as the indoor and outdoor air pressures are equalised (pressure differential). Normally, air flows from outside into the room.

Unit properties

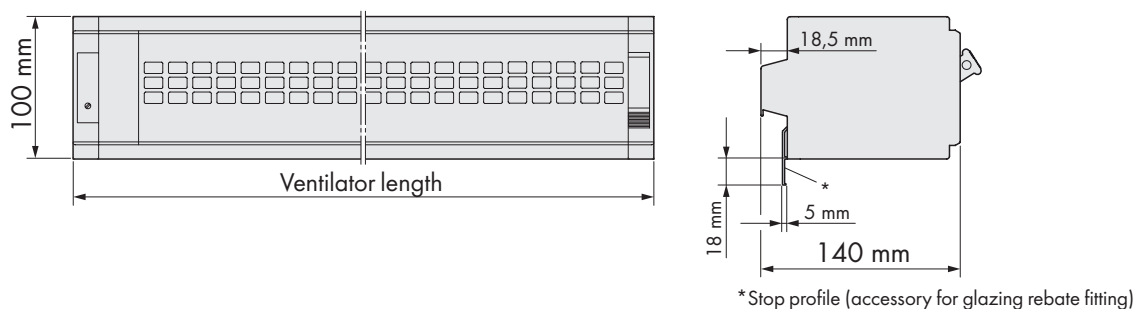
- Sound absorbing ventilation
- The cover flap can be adjusted with the operating lever or the rod
- Type DK: Electrical closing flap
- Available with volumetric flow limiter (VB)
 - Example of the control behaviour for AEROMAT 100, Type D:



Technical specifications

Specification for a AEROMAT 100	Type D/Type DK	
Ventilator length (in mm increments)	508 - 3000 mm	
Sound absorption ($R_{w1,g}$)	42 dB	39 dB
Sound absorption in accordance with DIN EN ISO 20140-10 ($D_{n,e,w}$)	49 dB	46 dB
Air throughput (pressure differential) (measured at 10 Pa pressure differential, 1200 mm ventilator length and with weather grille 911 HW/HS)	approx. 20 m ³ /h	approx. 30 m ³ /h
Electrical connection	230 V [~] / max. 0.01 A (Type DK only)	
Protection class I	✓ (Type DK only)	
U-value (calculated in accordance with ISO 6946)	1.68 W/m ² K	
Cable outlet on the operating side of the ventilator, unit cable approx. 1.5 m	✓	
Surface EV1 silver or RAL 9016 white coated (RAL special colours on request)		

Dimensions



Accessories

Weather grille 911 HW (horizontal installation)
Weather grille 911 HS (vertical installation)
Stop profile for glazing rebate fitting (only in combination with weather grille 911 HW, dimensions see table, length = ventilator length)
Attention! It is essential to install a limit stay in the window for the glazing rebate fitting.
Aluminium profile 20 x 20 x 2 mm (if required)
Rod (screw-on): length 600 mm, 800 mm or 1000 mm (varying lengths available on request)

SIEGENIA®
brings spaces to life

Hardware and ventilation technology
Duisburger Straße 8
57234 Wilnsdorf
GERMANY

Phone: +49 271 3931-0
Telefax: +49 271 3931-172
info@siegenia.com
www.siegenia.com



You can find address details for our international sites at: www.siegenia.com

SIEGENIA worldwide:
Austria Phone: +43 6225 8301
Belarus Phone: +375 17 3121168
Benelux Phone: +32 9 2811312
China Phone: +86 316 5998198
France Phone: +33 3 89618131
Germany Phone: +49 271 39310
Great Britain Phone: +44 2476 622000

Hungary Phone: +36 76 500810
Italy Phone: +39 02 9353601
Poland Phone: +48 77 4477700
Russia Phone: +7 495 7211762
South Korea Phone: +82 31 7985590
Switzerland Phone: +41 33 3461010
Turkey Phone: +90 216 5934151
Ukraine Phone: +380 44 4637979