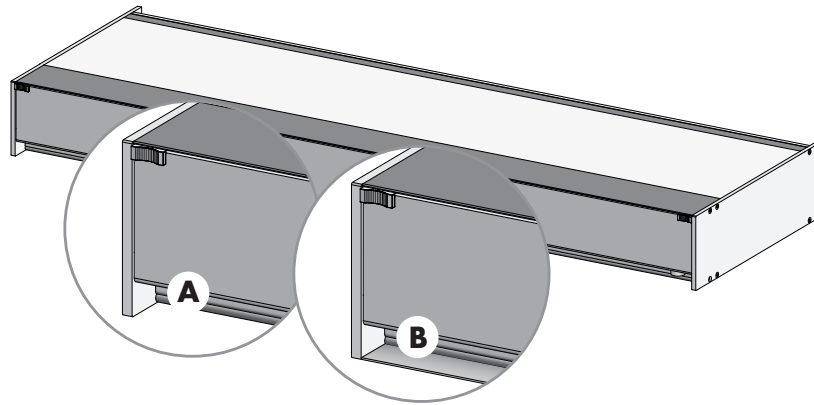


### Sound absorbing ventilator



### Application

The AEROMAT VT is a ventilation unit for installation:

- below the window sill (standard)
- horizontally, above or below window elements
- vertically, between the window frame and masonry
- horizontally or vertically in the head or sill (on request)

### Function

- The AEROMAT VT provides ventilation for interior rooms.
- With Type DS the room is ventilated as the indoor and outdoor air pressures are equalised (pressure differential). Normally, air flows from outside into the room.
- With type RS, an additional blower provides the supply of fresh air. Membrane key with LED display (filter replacement indicator optional)

### Unit properties

- Sound absorbing ventilation
- Manually and infinitely adjustable locking bolt
- Locking slider can be selected for the right or left parts of the casing
- Optional electrical locking slider (on request)
- With a short casing profile **A** or long casing profile **B** depending on the installation location
- Type RS: 24V safety low voltage, internal mains transformer with connecting cable approx. 1.5 m or 5 m long and Euro plug.
- AEROMAT VT RS smart:
  - Simple operation via smartphone or tablet using the SIEGENIA Comfort app\*
  - Continuous control of the blower performance
  - Filter change indicator and reset of the filter change indicator (after filter has been replaced)

\*Notes on compatibility at [www.siegenia.com/qr/comfort-app/faq](http://www.siegenia.com/qr/comfort-app/faq)

**Technical specifications**

The values can vary according to the specific equipment configuration.

	<b>AEROMAT VT</b>			
	<b>DSg</b>	<b>DS1</b>	<b>DS2</b>	<b>RS1 / RS smart</b>
Sound absorption (at 300 mm installation depth) <sup>1) 5)</sup>	$R_{w-1.9} = 33-49$ dB $D_{n,e,w} = 40-56$ dB	$R_{w-1.9} = 49$ dB $D_{n,e,w} = 56$ dB	$R_{w-1.9} = 49$ dB $D_{n,e,w} = 56$ dB	$R_{w-1.9} = 50$ dB $D_{n,e,w} = 57$ dB
Max. permissible area load per linear metre of ventilator length	1,000 kg	1,000 kg	1,000 kg	1,000 kg
Heat transition coefficient <sup>2)</sup>	$U = 0.25$ W/m <sup>2</sup> K	$U = 0.25$ W/m <sup>2</sup> K	$U = 0.25$ W/m <sup>2</sup> K	$U = 0.25$ W/m <sup>2</sup> K
Permissible operating temperature	—	—	—	- 15 °C to +40 °C
Air throughput (at 10 Pa) <sup>5)</sup>	c. 16-66 m <sup>3</sup> /h	18 m <sup>3</sup> /h	24 m <sup>3</sup> /h	—
Air throughput (with filter)				
With blower level 1	—	—	—	approx. 30 m <sup>3</sup> /h
With blower level 2	—	—	—	approx. 43 m <sup>3</sup> /h
With blower level 3 (power level)	—	—	—	approx. 56 m <sup>3</sup> /h
Inherent noise <sup>4) 6)</sup>				
at blower level 1	—	—	—	$L_{pA} =$ approx. 16 dB(A)
With blower level 2	—	—	—	$L_{pA} =$ approx. 26 dB(A)
With blower level 3 (power level)	—	—	—	$L_{pA} =$ approx. 33 dB(A)
Supply voltage	—	—	—	230 V~
Unit operating voltage	—	—	—	24 V===
Power consumption				
With blower level 1	—	—	—	4 W
With blower level 2	—	—	—	7 W
With blower level 3 (power level)	—	—	—	18 W
Mains supply	—	—	—	230 V~ / 50 Hz
Protection class II	—	—	—	✓
Thermal protection in transformer	—	—	—	✓
Length of connecting cable	—	—	—	1.50 m or 5 m

<sup>1)</sup> Measured in accordance with DIN EN 10140-2 at an overall depth of 320 mm

<sup>2)</sup> Calculated in accordance with DIN EN ISO 6946

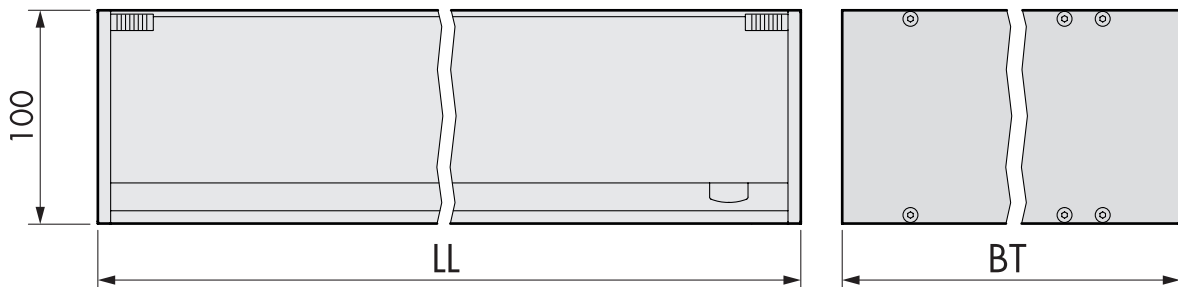
<sup>3)</sup> Based on EN 308

<sup>4)</sup> Measured in accordance with DIN EN ISO 3745 (with room insulation 8 db)

<sup>5)</sup> depending on the number of air canals

<sup>6)</sup> with exhaust air units internal sound increases by approx. 3 dB (A)

**Dimensions**

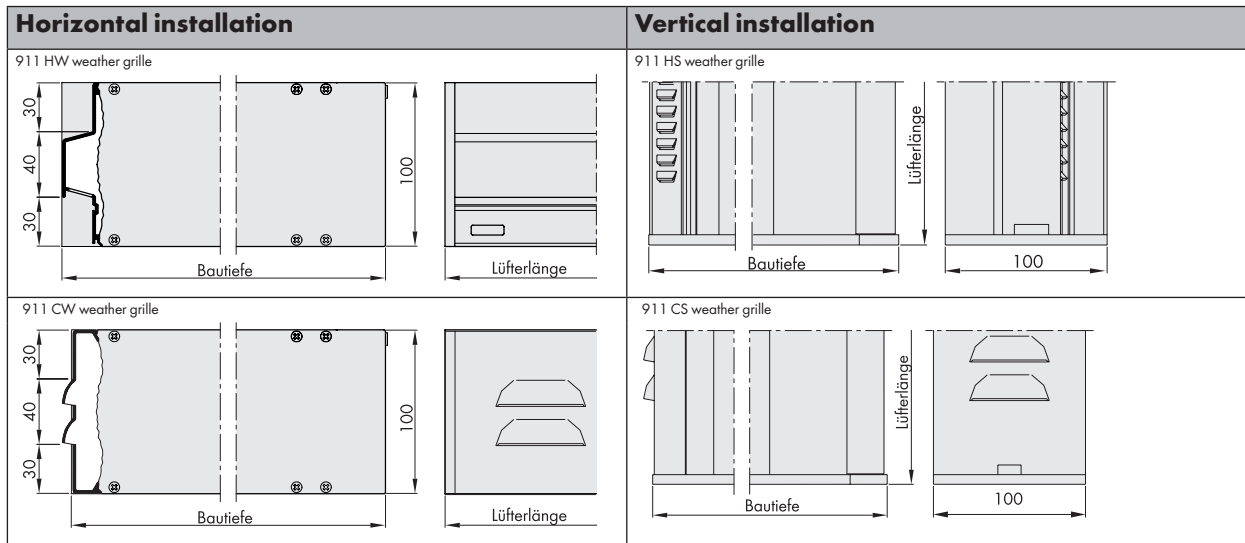


	<b>AEROMAT VT</b>			
	<b>DSg</b>	<b>DS1</b>	<b>DS2</b>	<b>RS1 / RS smart</b>
Ventilator length (LL)	600 - 3,000 mm	520 - 3,000 mm	1,000 - 3,000 mm	725 - 3,000 mm
Installation depth (BT)	250 - 500 mm	200 - 500 mm	200 - 500 mm	300 - 500 mm

Information requirements in accordance with EU Regulation 1253/2014

a	Manufacturer	SIEGENIA
b	Model identification	AEROMAT VT RS1
c	Energy consumption (SEV); Energy efficiency class (SEV class) (according to climatic zone warm / average / cold)	1,1 kWh/(m <sup>2</sup> · a); F -8,7 kWh/(m <sup>2</sup> · a); F -22,1 kWh/(m <sup>2</sup> · a); D
d	Type	WLA / ELA
e	Type of drive	Multi-stage drive
f	Heat recovery system	—
g	Degree of temperature change	—
h	Highest air flow rate	56 m <sup>3</sup> /h
i	Electrical input power	19 W
j	Noise level	34 dB (A)
k	Relative air flow rate	43 m <sup>3</sup> /h
l	Relative pressure differential	—
m	Specific input power	0,15 W/(m <sup>3</sup> /h)
n	Control factor / control typology	1,21 / 1
o	Highest degree of inner and outer leakage rate (inner / outer leakage)	—
p	Mix rate (inner area / outer area)	—
q	Instructions for replacing filter	See original operating instructions ( <a href="#">H47.FENS034EN</a> )
r	Instructions for the mounting of outside air / exhaust air grilles (for one-directional ventilation units)	See original operating instructions ( <a href="#">H47.FENS034EN</a> )
s	Instructions for dismantling	—
t	Pressure fluctuation sensitivity of the air flow (at +20 Pa and -20 Pa)	< 11 %
u	Air tightness between inside and outside	4.6 m <sup>3</sup> /h

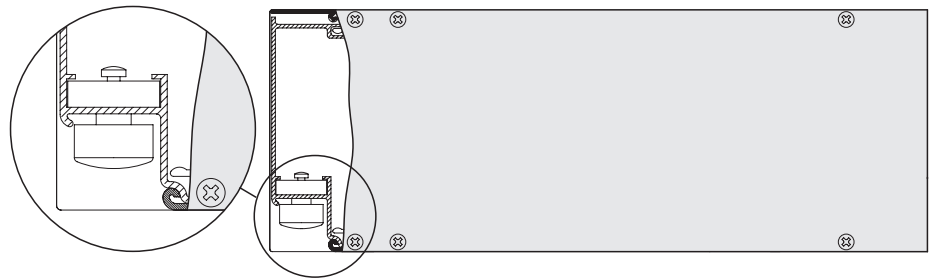
**Weather grille variants**



**Casing profile variants**

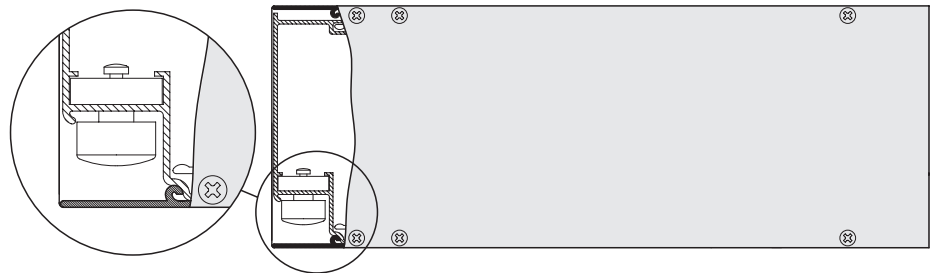
**A: Short casing profile**

Installation suggestion:  
Installation vertically in the  
reveal or window lintel



**B: Long casing profile**

Installation suggestion:  
Installation in the window sill  
area



**SIEGENIA®**  
brings spaces to life

Hardware and ventilation technology  
Duisburger Straße 8  
57234 Wilnsdorf  
GERMANY

Phone: +49 271 3931-0  
Telefax: +49 271 3931-172  
info@siegenia.com  
www.siegenia.com



You can find address details for our  
international sites at: [www.siegenia.com](http://www.siegenia.com)

SIEGENIA worldwide:

- Austria** Phone: +43 6225 8301
- Belarus** Phone: +375 17 3121168
- Benelux** Phone: +32 9 2811312
- China** Phone: +86 316 5998198
- France** Phone: +33 3 89618131
- Germany** Phone: +49 271 39310
- Great Britain** Phone: +44 2476 622000

- Hungary** Phone: +36 76 500810
- Italy** Phone: +39 02 9353601
- Poland** Phone: +48 77 4477700
- Russia** Phone: +7 495 7211762
- South Korea** Phone: +82 31 7985590
- Switzerland** Phone: +41 33 3461010
- Turkey** Phone: +90 216 5934151
- Ukraine** Phone: +380 44 4637979