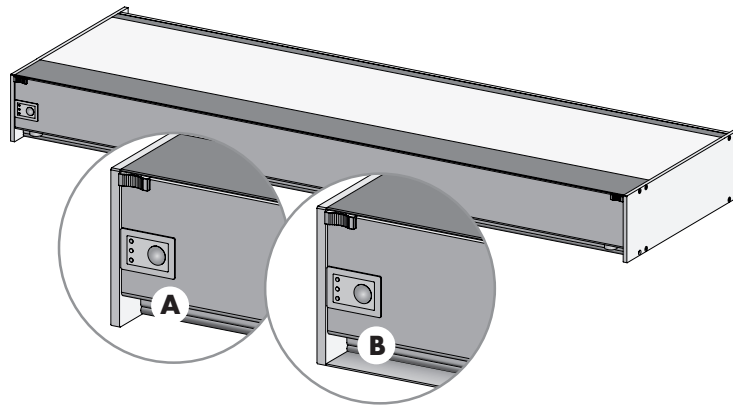


Sound absorbing ventilator with heat recovery



### Application

The AEROMAT VT WRG 1100 is a ventilation unit for installation:

- horizontally, above or below window elements
- horizontally in transom (on request)

### Function

- The AEROMAT VT WRG 1100 is a sound absorbing ventilator with two electric blowers and a heat exchanger. It provides ventilation for interior rooms while also providing heat recovery.

### Unit properties

- Ventilation with condensation free heat recovery
- Supply air filter F7 and exhaust air filter G3 (alternatively with insect grille)
- Manually and continuously adjustable slider
- With a short casing profile **A** or long casing profile **B** depending on the installation location
- 3-stage blower + automatic mode (optional: for units with sensors)
- Membrane key with LED display (indicating operating status, filter replacement and malfunctions)
- Recommended sensors (optional):
  - Moisture and temperature sensor
  - Frost protection control
  - CO<sub>2</sub> sensor or CO<sub>2</sub>/VOC sensor
- AEROMAT VT WRG 1100 smart:
  - Simple operation via smartphone or tablet using the SIEGENIA Comfort app\*
  - Continuous control of the blower performance
  - Filter change indicator and reset of the filter change indicator (after filter has been replaced)
  - Display of the inside and outside temperature in °C (depending on device equipment)
  - Display of the inside and outside air humidity in % (depending on device equipment)
  - Air quality display (depending on device equipment)
  - Automatic mode (depending on device equipment)

\*The SIEGENIA Comfort app is compatible with iOS 8.0 or new, iPhone, iPad and iPod touch, as well as Android 5.0 or newer

### 15. Technical specifications

The values can vary according to the specific equipment configuration.

	AEROMAT VT WRG 1100			
	Var. 1	Var. 2	Var. 3	Var. 4
Sensors	-	✓	-	✓
WLAN module	-	-	✓	✓
Sound absorption (with sliders open) <sup>1)</sup>	$R_{w,1.9} = 48 \text{ dB}$ $D_{n,e,w} = 55 \text{ dB}$			
Max. permissible area load per linear metre of ventilator length	1,000 kg			
Heat transition coefficient <sup>2)</sup>	$U = 0.55 \text{ W/m}^2\text{K}$			
Permissible operating temperature	-15 °C to +40 °C			
Outside air filter (if present)	F7, 193 x 88 mm			
Exhaust air filter (if present)	G3, 330 x 90 mm			
Effective air throughput (with filter)				
With blower level 1	approx. 20 m <sup>3</sup> /h			
With blower level 2	approx. 37 m <sup>3</sup> /h			
With blower level 3 (power level)	approx. 56 m <sup>3</sup> /h			
Heat recovery efficiency <sup>3)</sup>	max. 62%			
Inherent noise <sup>4)</sup>				
at blower level 1	$L_{pA} = \text{approx. } 20 \text{ dB(A)}$			
With blower level 2	$L_{pA} = \text{approx. } 27 \text{ dB(A)}$			
With blower level 3 (power level)	$L_{pA} = \text{approx. } 38 \text{ dB(A)}$			
Supply voltage	230 V~			
Unit operating voltage	24 V ---			
Power consumption				
With blower level 1	7 W			
With blower level 2	11 W			
With blower level 3 (power level)	21 W			
Mains supply	230 V~ / 50 Hz			
Protection class II	✓			
Thermal protection in transformer	✓			
Length of connecting cable	1.50 m or 5 m			

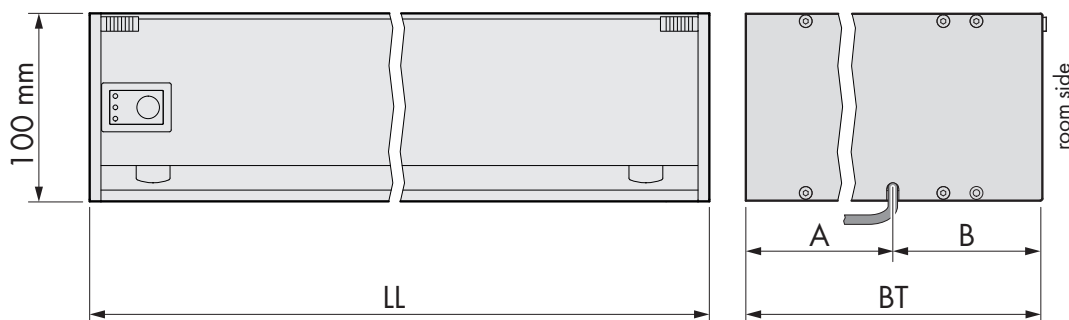
<sup>1)</sup> Measured in accordance with DIN EN 10140-2 at an overall depth of 320 mm.

<sup>2)</sup> calculated according to DIN EN ISO 6946.

<sup>3)</sup> Based on EN 308.

<sup>4)</sup> Measured in accordance with DIN EN ISO 3745 (with room insulation 8 db).

#### 15.1 Dimensions

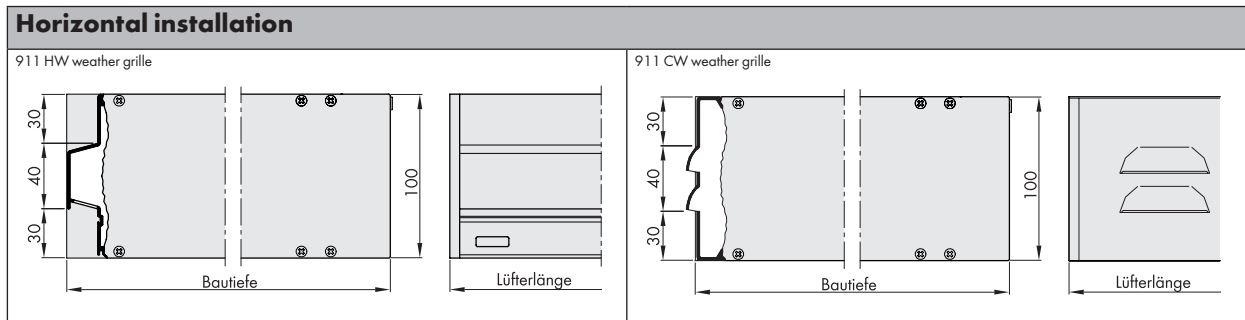


Ventilator length (LL)	1,100 to 1,400 mm, cable outlet A = 225 mm 1,401 to 3.000 mm, cable outlet B = 80 mm
Installation depth (BT)	Min. 380 mm (subject to weather grille variant)

15.2 Product data sheet (in accordance with EU Regulation 1254/2014)

a	Manufacturer	SIEGENIA			
b	Model identification	AEROMAT VT WRG 1100			
		Var. 1	Var. 3	Var. 2	Var. 4
c	Energy consumption (SEV); Energy efficiency class (SEV class) (according to climatic zone warm / average / cold)	-4 kWh/(m <sup>2</sup> · a); F -21.8 kWh/(m <sup>2</sup> · a); D -52.9 kWh/(m <sup>2</sup> · a); A+		-11.5 kWh/(m <sup>2</sup> · a); E -32.4 kWh/(m <sup>2</sup> · a); B -69 kWh/(m <sup>2</sup> · a); A+	
d	Type	WLA / ZLA			
e	Type of drive	Multi-stage drive			
f	Heat recovery system	Recuperative			
g	Degree of temperature change	52 %			
h	Highest air flow rate	56 m <sup>3</sup> /h			
i	Electrical input power	21 W			
j	Noise level	35 dB (A)			
k	Relative air flow rate	37 m <sup>3</sup> /h			
l	Relative pressure differential	-			
m	Specific input power	0.3 W/(m <sup>3</sup> /h)			
n	Control factor / control typology	1.21 / 1		1.21 / 0.65	
o	Highest degree of inner and outer leakage rate (inner / outer leakage)	9 % / 8 %			
p	Mix rate (inner area / outer area)	-13 % / 1 %			
q	Instructions for replacing filter	See original operating instructions ( <a href="#">H47.FENS039EN</a> )			
r	Instructions for the mounting of outside air / exhaust air grilles (for one-directional ventilation units)	-			
s	Instructions for dismantling	-			
t	Pressure fluctuation sensitivity of the air flow (at +20 Pa and -20 Pa)	12 % / 12 %			
u	Air tightness between inside and outside	1.4 m <sup>3</sup> /h			
v	Annual power consumption	4.6 kWh/a		2.6 kWh/a	
w	Annual saving of heating energy (according to climatic zone warm / average / cold)	14.7 kWh/a 32.5 kWh/a 63.7 kWh/a		17.3 kWh/a 38.3 kWh/a 74.9 kWh/a	

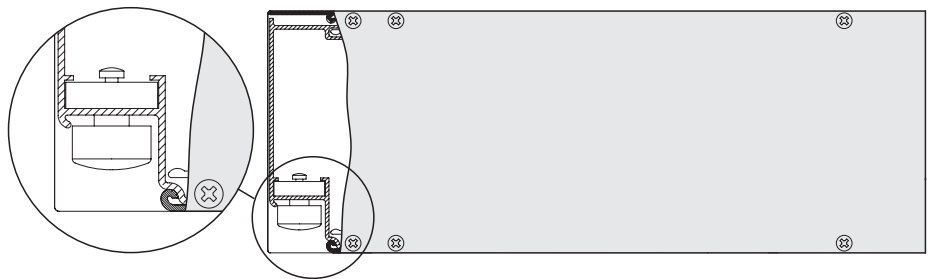
### Weather grille variants



### Casing profile variants

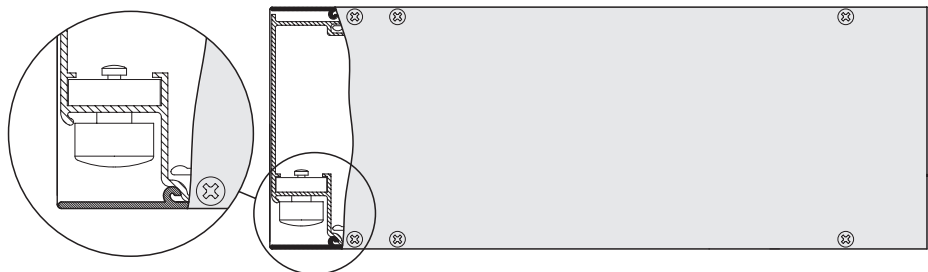
#### A: Short casing profile

Installation suggestion:  
Installation in the lintel



#### B: Long casing profile

Installation suggestion:  
Installation in the window sill area



**SIEGENIA**<sup>®</sup>  
brings spaces to life

Hardware and ventilation technology  
Duisburger Straße 8  
57234 Wilnsdorf  
GERMANY

Phone: +49 271 3931-0  
Telefax: +49 271 3931-172  
info@siegenia.com  
www.siegenia.com



You can find address details for our  
international sites at: [www.siegenia.com](http://www.siegenia.com)

SIEGENIA worldwide:

**Austria** Phone: +43 6225 8301  
**Belarus** Phone: +375 17 3121168  
**Benelux** Phone: +32 9 2811312  
**China** Phone: +86 316 5998198  
**France** Phone: +33 3 89618131  
**Germany** Phone: +49 271 39310  
**Great Britain** Phone: +44 2476 622000

**Hungary** Phone: +36 76 500810  
**Italy** Phone: +39 02 9353601  
**Poland** Phone: +48 77 4477700  
**Russia** Phone: +7 495 7211762  
**South Korea** Phone: +82 31 7985590  
**Switzerland** Phone: +41 33 3461010  
**Turkey** Phone: +90 216 5934151  
**Ukraine** Phone: +380 44 4637979