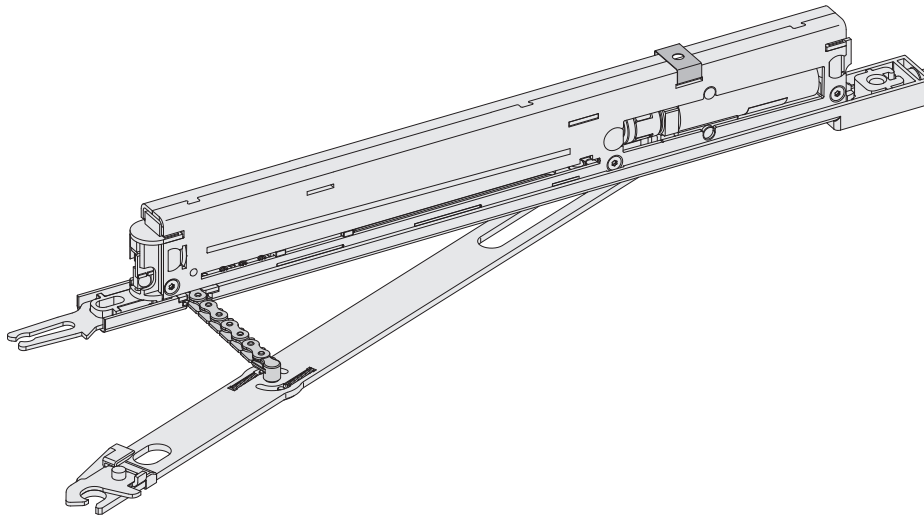


Concealed drive



### Application

- Suitable for rectangular tilt & turn windows made of timber, PVC or aluminium
- For installation at top in horizontal profile area
- Sash weight max. 130 kg, for permissible sash sizes please refer to the hardware application diagrams
- For timber and PVC profiles with an airgap of 12 +1 mm
- For aluminium profiles with LM eurogroove and a cavity of 21 +1 mm
- Fully integrated into the window profile

### Function

- Motorised tilting and locking/unlocking
- Status display by LED

### Features

- Opening width 120 mm or 150 mm
- Can be operated manually from the tilt and locked position
- Can be controlled by IR remote control, buttons or building control technology
- Available as a DIN right or DIN left variant

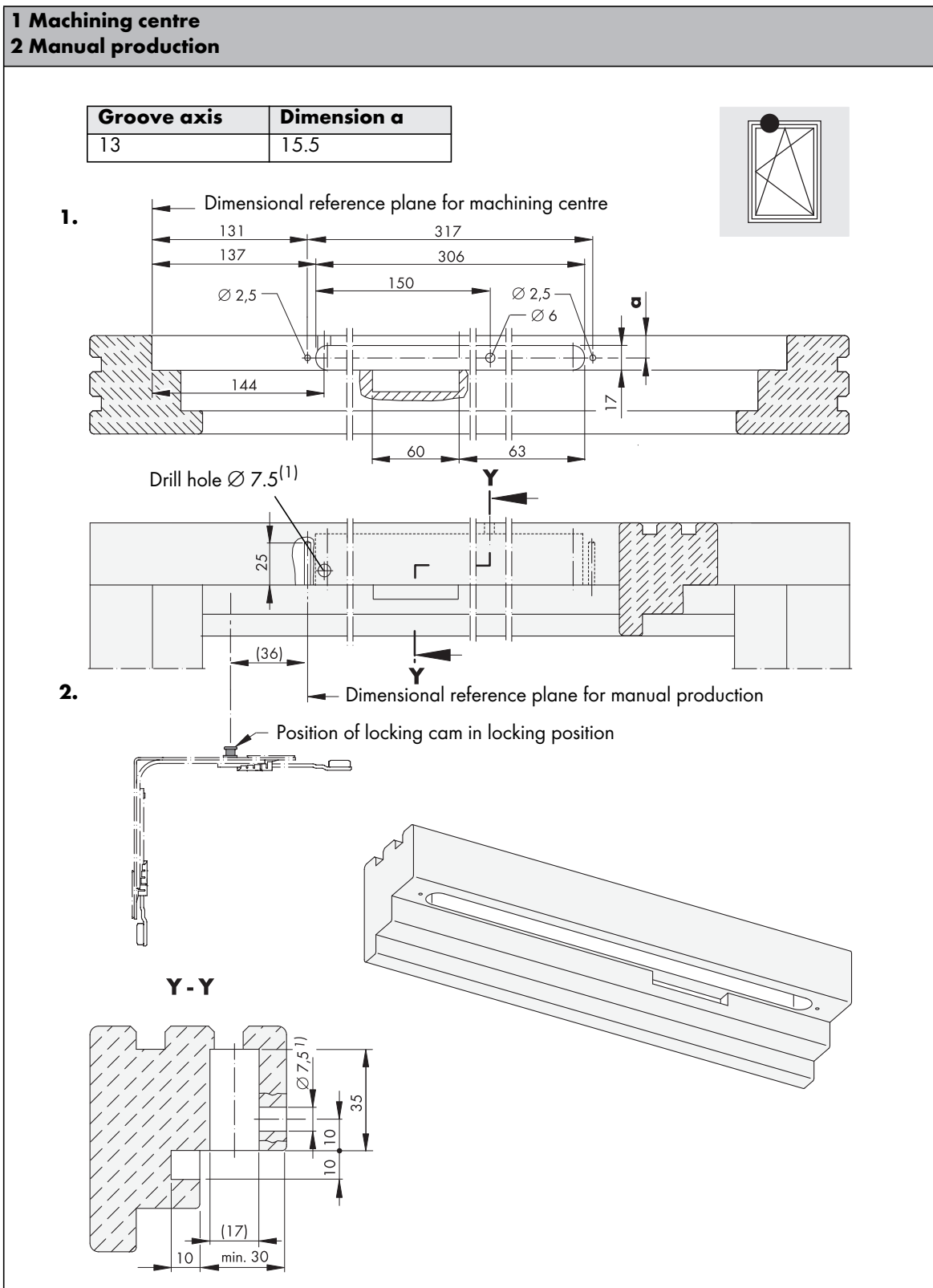
Technical specifications and colours are subject to change.

H40.MOTS002EN/2

### Installation in timber profile

All measurements are given in mm

Groove axis	Dimension a
13	15.5



**1 Machining centre**  
**2 Manual production**

**1.** Dimensional reference plane for machining centre

131, 317, 137, 306, 150, Ø 2,5, Ø 6, 144, 17, a, 60, 63

Drill hole Ø 7.5<sup>(1)</sup>

25, (36)

**2.** Dimensional reference plane for manual production

Position of locking cam in locking position

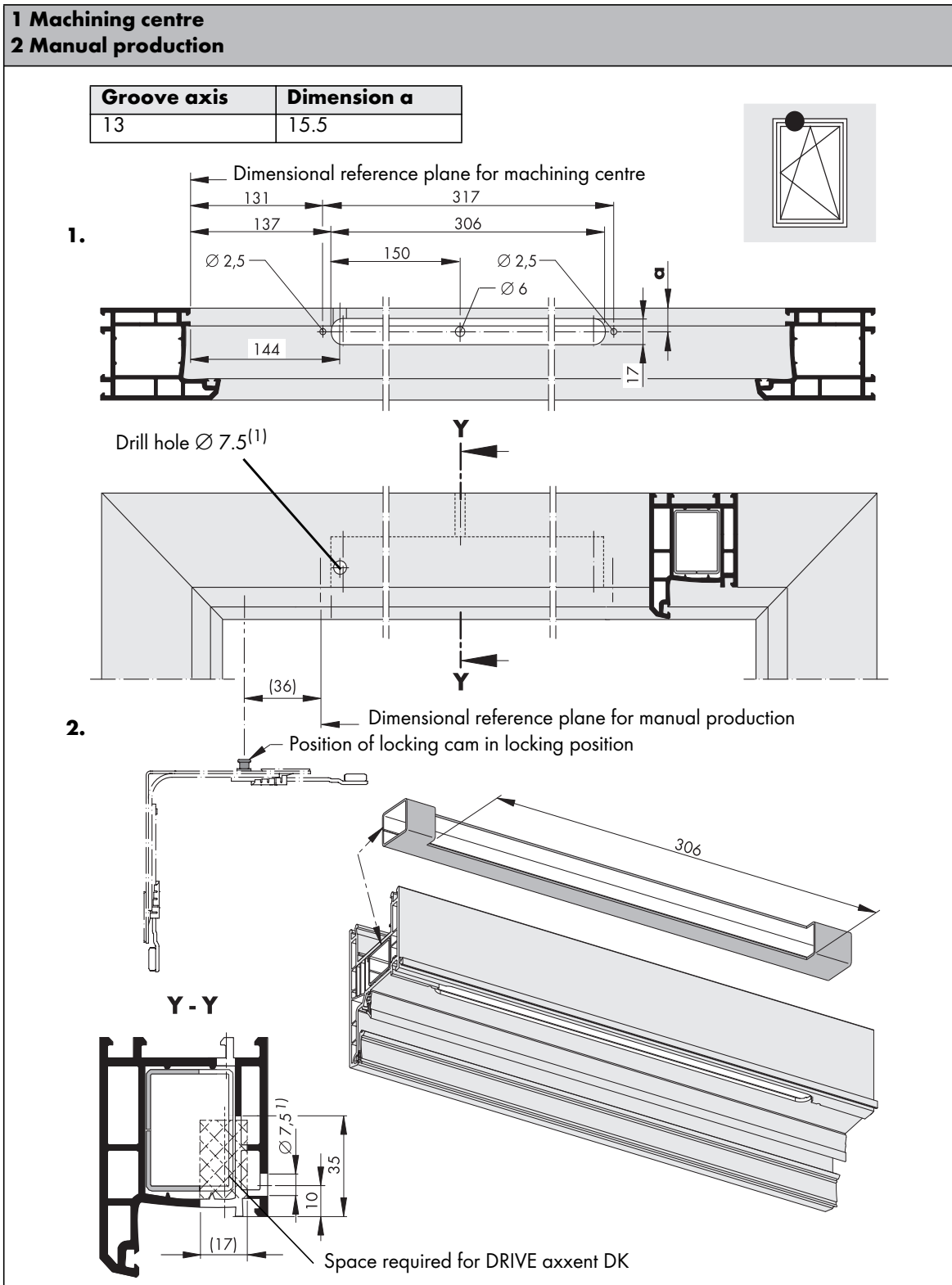
**Y - Y**

Ø 7.5<sup>(1)</sup>, 35, 10, 10, (17), 10, min. 30

1) Status indicator and infrared remote control require a drill hole of Ø 7.5

### Installation in PVC profile

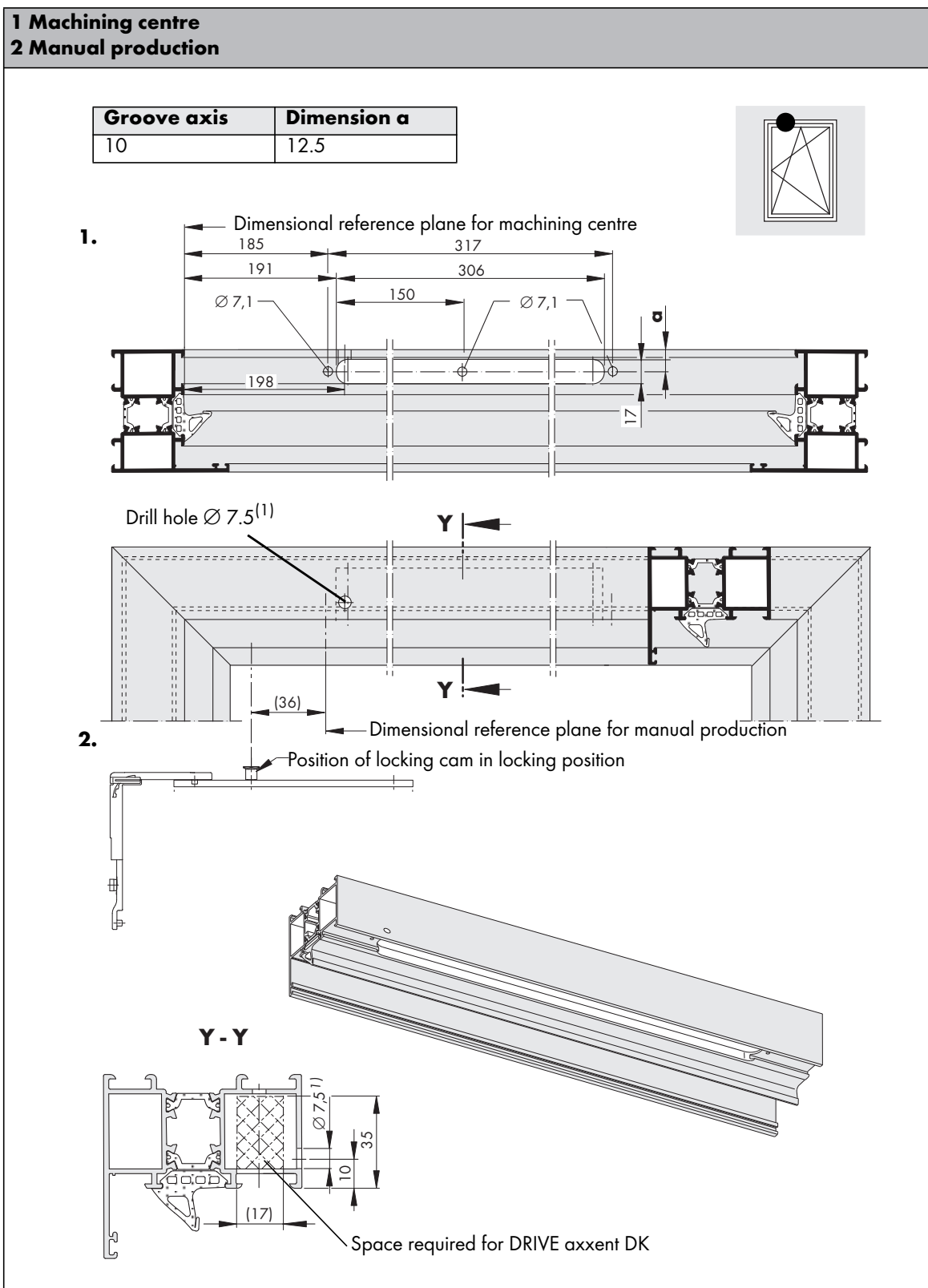
All measurements are given in mm



1) Status indicator and infrared remote control require a drill hole of Ø 7.5

### Installation in aluminium profile with LM eurogroove

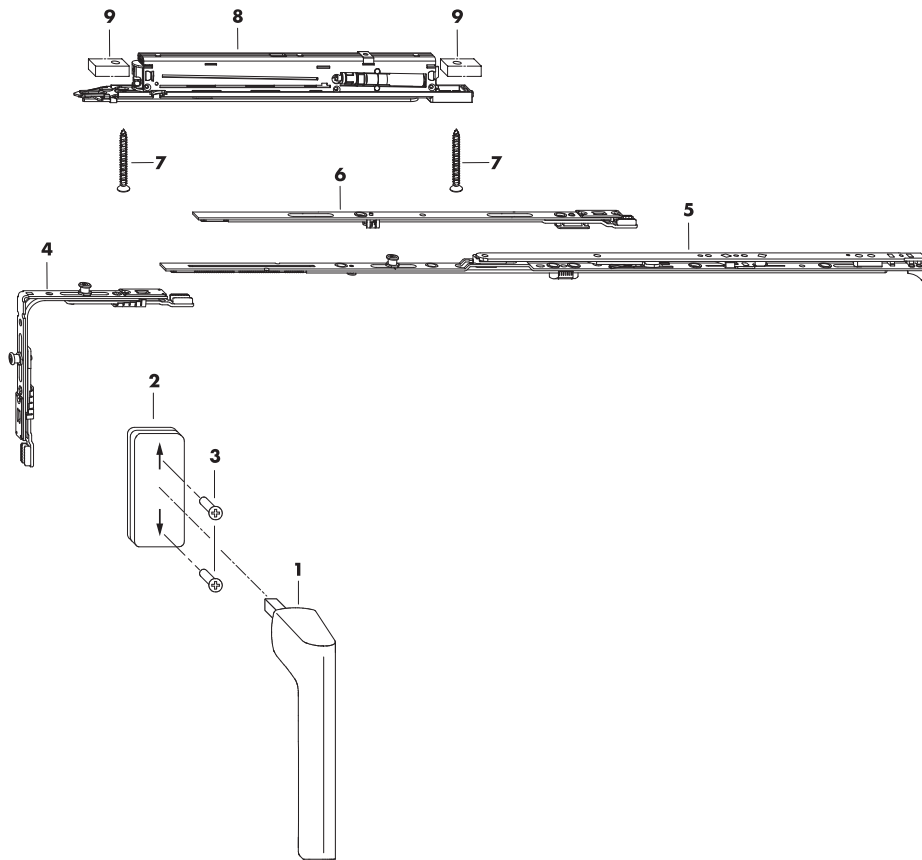
All measurements are given in mm



1) Status indicator and infrared remote control require a drill hole of  $\varnothing 7.5$

**Hardware overview TITAN AF (sash rebate width 850 - 1,560 mm)**

**Timber and PVC**

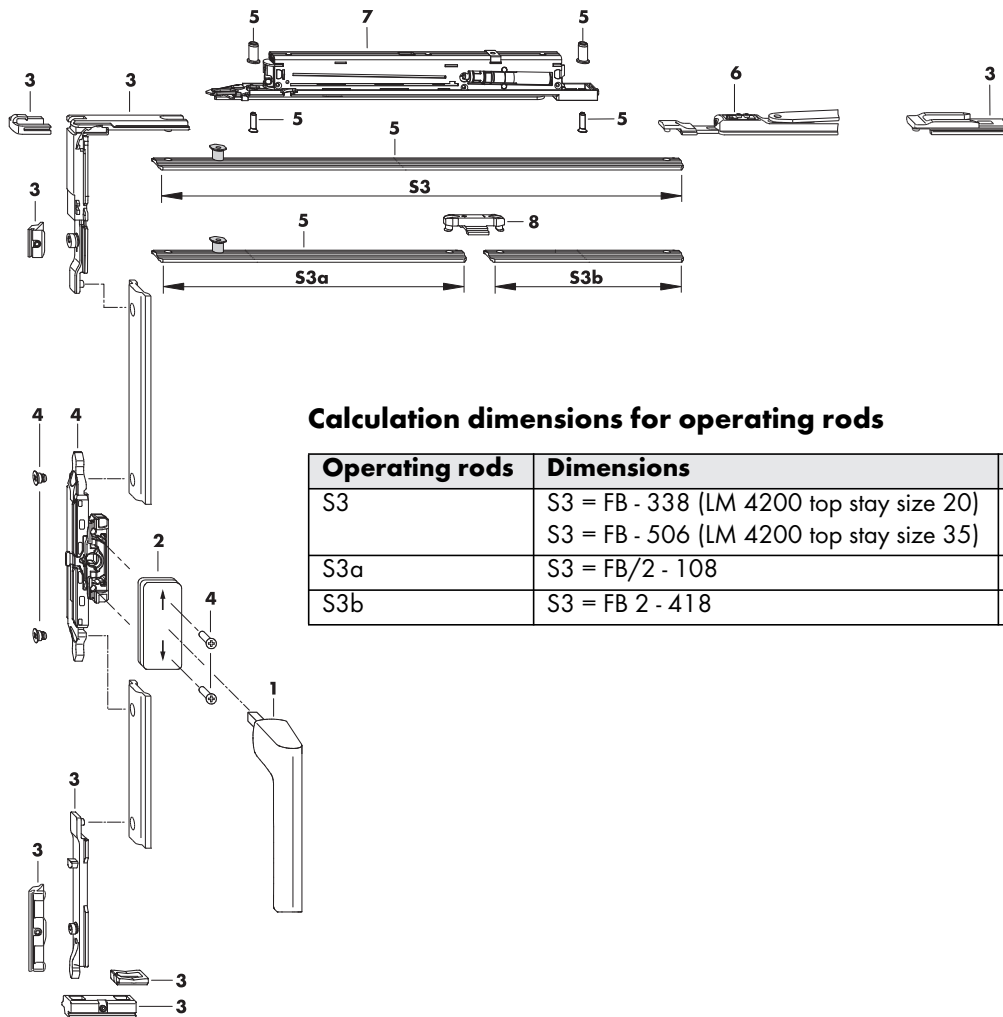


No.	Material description	Pc.	Sash rebate width
1	Handle Si-line removable	1	-
2	Rose Si-line	1	-
3	M5 x 40 countersunk screw	2	-
4	Corner drive AF VCO 2 RS A0055	1	-
5	Top stay AF size 2	1	850 - 1050
	Top stay AF size 3 1RS	1	1051 - 1250
	Top stay AF size 4 1RS	1	1251 - 1450
	Top stay AF size 4 1RS	1	1451 - 1560
6	Linkage AF size 1	1	850 - 1450
		2	1451 - 1560
7	Universal countersunk screw 4.5 x 40 (not included in scope of supply)	2	-
8	DRIVE axxent DK 150 RH	1	-
	DRIVE axxent DK 150 LH	1	-
9	Packer (to be provided by customer)	2	-

**Note:** For further information concerning components and the installation of the window hardware, please refer to our product catalogues for the TITAN AF system (document no. H4006.2943 for timber or H4006.2945 for PVC).

Hardware overview LM 4200-DK (sash width 835 - 1,600 mm)

Aluminium



Calculation dimensions for operating rods

Operating rods	Dimensions	Sash width
S3	S3 = FB - 338 (LM 4200 top stay size 20)	< 1200
	S3 = FB - 506 (LM 4200 top stay size 35)	< 1200
S3a	S3 = FB/2 - 108	> 1201
S3b	S3 = FB 2 - 418	> 1201

No.	Material description	Pc.	Sash rebate width
1	Handle Si-line removable	1	-
2	Rose Si-line	1	-
3	VS LM-DK KPS (vertical tilt point)	1	-
4	Gear set FBS M6 Trial/RR	1	-
5	LM accessories set DRIVE axxent DK	1	-
6	LM 4200 top stay size 20	1	835 - 980
	LM 4200 top stay size 35	1	981 - 1600
7	DRIVE axxent DK 120 RH (for LM 4200 top stay size 20)	1	-
	DRIVE axxent DK 120 LH (for LM 4200 top stay size 20)	1	-
	DRIVE axxent DK 150 RH (for LM 4200 top stay size 35)	1	-
	DRIVE axxent DK 150 LH (for LM 4200 top stay size 35)	1	-
8	MV stay striker	1	1201 - 1600

**Note:** For further information concerning components and the installation of the window hardware, please refer to our planning manual for aluminium systems (document no.: H4006.01250DE, register 3, drawing no.: LMde1362, register 8, drawing no.: LMde1361).

**Technical data**

Window material	Timber, PVC or aluminium
Installation location in window	At top, horizontal
Sash outer dimensions (sash rebate dimension) (sash width): Areas: timber and PVC TITAN AF (sash rebate) Area: aluminium LM 4200 top stay size 20 (sash width) Area: aluminium LM 4200 top stay size 35 (sash width)	Min. 850 mm - max. 1,560 mm Min. 835 mm - max. 980 mm Min. 981 mm - max. 1,600 mm
Top stay opening width: Areas: timber and PVC TITAN AF Area: aluminium LM 4200 top stay size 20 Area: aluminium top stay LM 4200 size 35	Max. 150 mm Max. 120 mm Max. 150 mm
Sash weight	Max. 130 kg (observe the corresponding application range diagrams)
Supply voltage	24 V, 0.6 A
Electronic overload protection	
Power cable supplied	2 pieces: 2 x 0.8 mm, length 2.5 m
Opening speed	Approx. 10 mm per second
Duration of opening motion	Approx. 25 seconds
Closing speed	Max. 5 mm per second
Opening and closing force on drive rod	Max. 700 N (corresponds to approx. 8 Nm manual lever torque)
Closing force of tilt window sash (reduced)	Max. 150 N
Protection class	IP20 for dry locations
Permissible operating temperature	-20 °C to +40 °C
Tested with	30,000 operating cycles (double stroke including locking)

**Accessories**

Name	Number of units per carton	Material number
IR-remote control	1	GZFB0010
Power supply DRIVE axxent DK	1	GANE0070-099010
Rose Si-line (silver EV1)	1	869826
	10	257401
Rose Si-line (white RAL 9003)	1	862605
	10	250495
Rose Si-line (black RAL 9005)	1	ZHSR0010-523010
	10	ZHSR0010-523020

# SIEGENIA®

Hardware and ventilation technology  
Duisburger Straße 8  
57234 Wilnsdorf  
GERMANY

Phone: +49 271 3931-0  
Telefax: +49 271 3931-172  
info@siegenia.com  
www.siegenia.com



You can find address details for our  
international sites at: [www.siegenia.com](http://www.siegenia.com)

SIEGENIA worldwide:

**Austria** Phone: +43 6225 8301  
**Belarus** Phone: +375 17 3121168  
**Benelux** Phone: +32 9 2811312  
**China** Phone: +86 316 5998198  
**France** Phone: +33 3 89618131  
**Germany** Phone: +49 271 39310  
**Great Britain** Phone: +44 2476 622000

**Hungary** Phone: +36 76 500810  
**Italy** Phone: +39 02 9353601  
**Poland** Phone: +48 77 4477700  
**Russia** Phone: +7 495 7211762  
**South Korea** Phone: +82 31 7985590  
**Switzerland** Phone: +41 33 3461010  
**Turkey** Phone: +90 216 5934151  
**Ukraine** Phone: +380 44 4637979

---

Contact your dealer: