



- Low Profile for Building Automation
- 5V to 24V Outputs
- Wide Range AC Input
- -25 to +71°C Operation
- Convection Cooled
- UL1310 Class 2
- Class II Double Insulation

DSP Series

7.5W to 100W Low Profile Din Rail Mount Power Supplies

Key Market Segments & Applications

Building Services Automation: Alarms and Security, Access and Fire Safety Systems, Lighting and Environment Control Systems.

DSP Features and Benefits

Features

- Low 56mm Profile
- Wide Range AC
- Full Power at 61 °C

Benefits

- Fits into wall mounted cabinets
- Global use with no input selector switches
- No derating needed

Specifications

MODEL		DSP10	DSP30	DSP60	DSP100
ITEMS					
AC Input Voltage range	VAC	90 - 264VAC, Class II double insulated (No ground connection required)			
Input Frequency	Hz	47 - 63Hz			
DC Input Voltage range	VDC	120 - 370VDC			
Inrush Current (115 / 230VAC)	A	15 / 30A	25 / 50A	30 / 60A	30 / 60A
Power Factor		Meets EN61000-3-2, EN61000-3-3			
Output Voltage Accuracy	%	±1% of Nominal			
Line Regulation	%	1%			
Load Regulation	%	1%			
Ripple and Noise (20MHz BW)	mV	50mV ⁽¹⁾			
Overcurrent Protection (Typ)	-	110 - 160%, fold forward under short circuit (DSP100-24/C2 102-108%)			
Overvoltage Protection	V	120 - 145%			
Hold Up Time (115VAC input)	ms	See Model Selector			
LED Indicators	-	Green LED = On, Red LED = DC Output Low			
Operating Temperature	-	-25 to +71°C (Derate linearly 2.5%/°C from 61 to 71°C)			
Temperature Coefficient	%/°C	±0.02%/°C			
Storage Temperature	-	-25 to +85°C			
Operating Humidity	-	20 - 95% RH (non condensing)			
Cooling	-	Convection			
Withstand Voltage	-	Input to Output 3kVAC for 1 min.			
Isolation Resistance	-	>100M at 25C & 70%RH, Output to Ground 500VDC			
Safety Agency Approvals	-	UL1310 Class 2 ⁽²⁾ , UL508 Listed, UL60950-1, EN60950-1, CE			
Immunity	-	EN61000-4-2, -3, -4, -5, -6, -8 & -11			
Conducted & Radiated EMI	-	EN55022 class B	EN55022 class A		
Weight (Typ)	g	60	200	250	320
Size (WxHxD)	mm	18 x 91 x 55.6	53 x 91 x 55.6	71 x 91 x 55.6	90 x 91 x 56.8
Case material	-	Plastic			
Warranty	yrs	Two years			

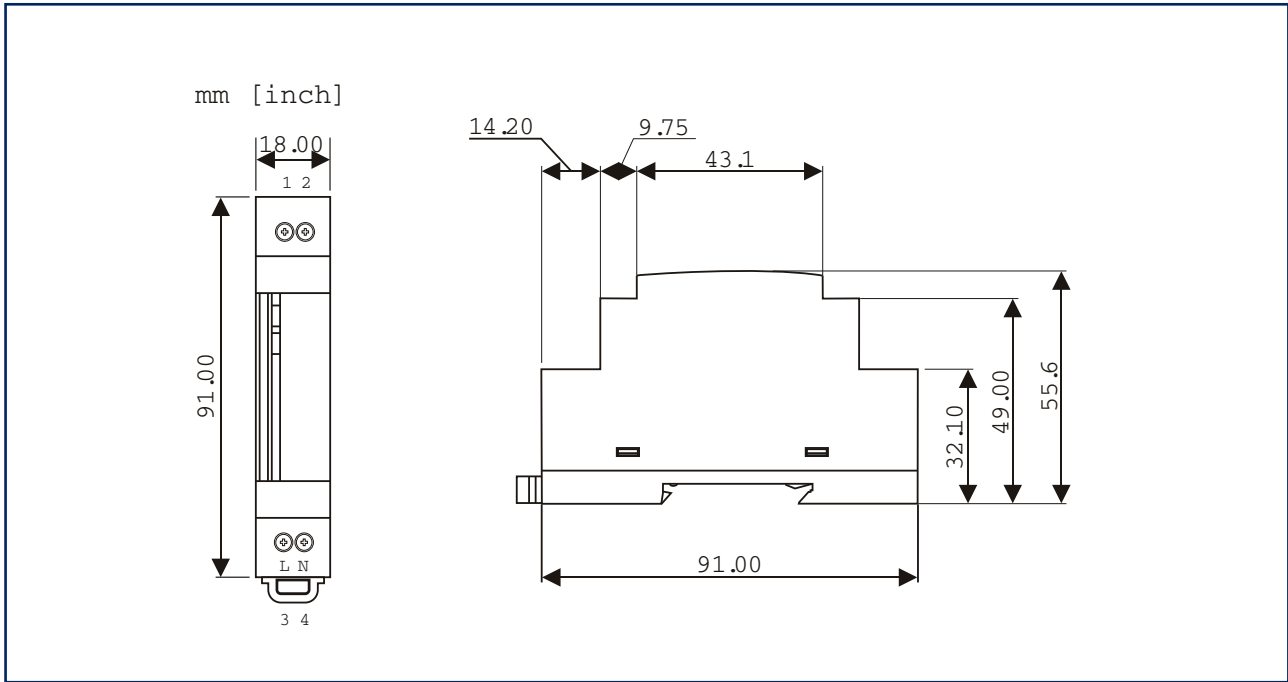
Note 1: For DSP100-24/C2 Ripple & Noise measured with Vin 115- 230 Vac

Note 2: Excludes Models: DSP60-5, DSP60-12, DSP100-12, DSP100-15, DSP100-24

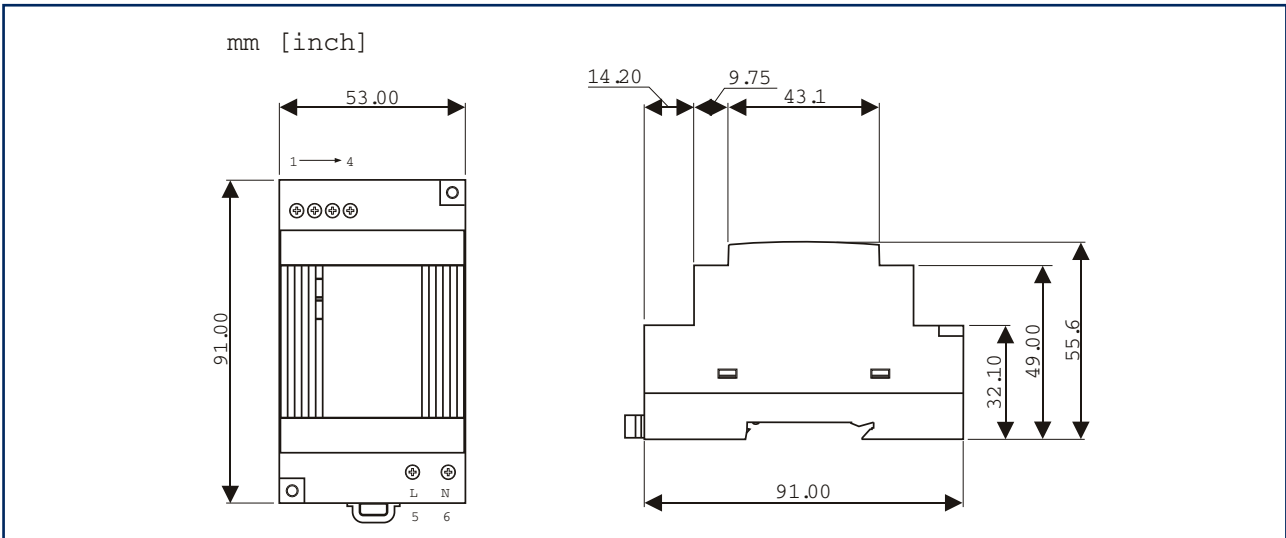
Model Selector

Model	Voltage (V)	Voltage Adjust (V)	Current (A)	Power (W)	Efficiency (Typ %)
DSP10-5	5	5 - 5.5	1.50	7.5	74
DSP30-5	5	5 - 5.5	3.00	15.0	80
DSP60-5	5	5 - 5.5	7.00	35.0	80
DSP10-12	12	12 - 14	0.83	10.0	78
DSP30-12	12	12 - 14	2.10	25.2	84
DSP60-12	12	12 - 14	4.50	54.0	84
DSP100-12	12	12 - 14	6.00	72.0	82
DSP10-15	15	13.5 - 16.5	0.67	10.1	78
DSP30-15	15	13.5 - 16.5	2.00	30.0	85
DSP60-15	15	13.5 - 16.5	4.00	60.0	85
DSP100-15	15	13.5 - 16.5	5.00	75.0	85
DSP10-24	24	24 - 28	0.42	10.1	80
DSP30-24	24	24 - 28	1.30	31.2	86
DSP60-24	24	24 - 28	2.50	60.0	86
DSP100-24	24	24 - 28	4.20	100.8	85

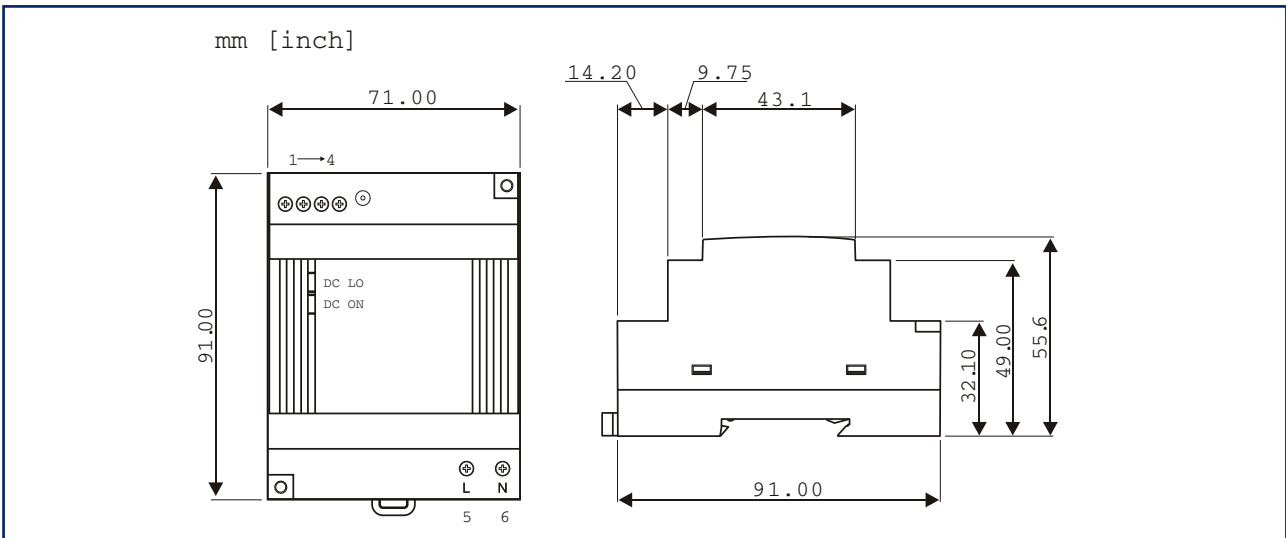
DSP10 Outline Drawing



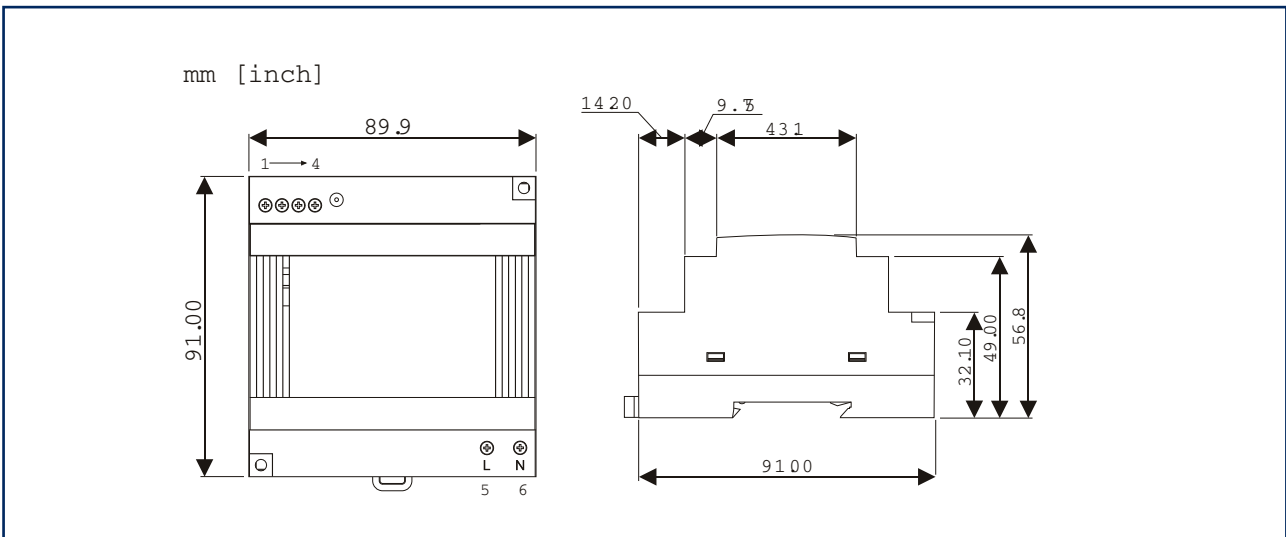
DSP30 Outline Drawing



DSP60 Outline Drawing



DSP100 Outline Drawing



LAMBDA EUROPE

AUSTRIA		
LAMBDA ELECTRONICS GmbH Aredstraße 22 A-2544 Leobersdorf	Telephone: Facsimile:	+43 (0) 2256 655 84 +43 (0) 2256 645 12 www.lambda-austria.com
FRANCE		
LAMBDA SAS ZAC des Delaches, BP1077 - Gometz le Chatel 91940 Les Ulis	Telephone: Facsimile: Web:	+33 (0) 1 60 12 71 65 +33 (0) 1 60 12 71 66 www.lambda-f.com
GERMANY		
LAMBDA GmbH Karl-Bold-Straße 40 D-77855 Achern	Telephone: Facsimile: Web:	+49 (0) 78 41 666 0 +49 (0) 78 41 5000 www.lambda-germany.com
ISRAEL		
NEMIC LAMBDA LTD Kibbutz Givat Hashlosa 48800	Telephone: Facsimile: Web:	+972 (0) 3 902 4333 +972 (0) 3 902 4777 www.nemic.co.il
ITALY		
LAMBDA s.r.l. Via dei Laboratori 128/130, 20092, Cinisello Balsamo (Mi)	Telephone: Facsimile: Web:	+39 (0) 02 61 29 38 63 +39 (0) 02 61 29 09 00 www.lambda-italy.com
SWEDEN		
LAMBDA SCANDINAVIA PO Box 546, Rällärvägen 41 SE-184 25. Akersberga	Telephone: Facsimile: Web:	+46 (0) 8 598 94 090 +46 (0) 8 540 66 096 www.lambda-scandinavia.com
UK		
LAMBDA UK Kingsley Avenue Ilfracombe Devon EX34 8ES	Telephone: Facsimile: Web:	+44 (0) 1271 856666 +44 (0) 1271 864894 www.lambda-gb.com

LAMBDA NORTH AMERICA

visit www.lambdapower.com for a list of Lambda offices and distributors

LAMBDA ASIA

visit www.densei-lambda.com for a list of Lambda offices and distributors

LOCAL DISTRIBUTION

