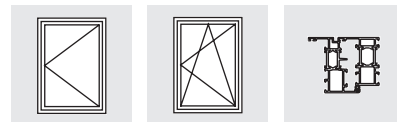
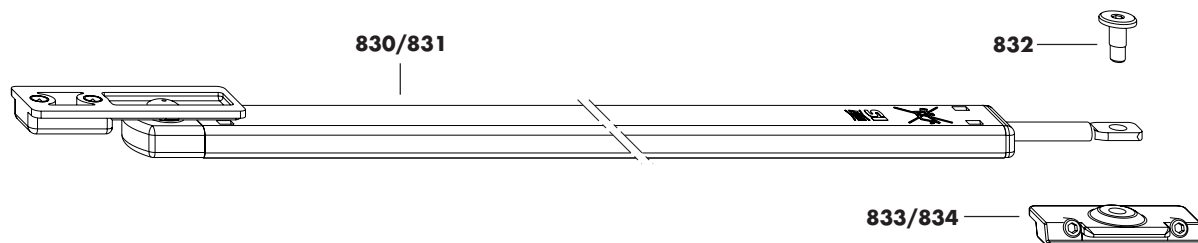




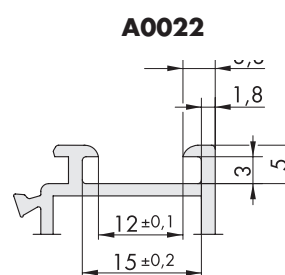
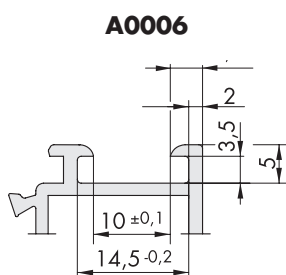
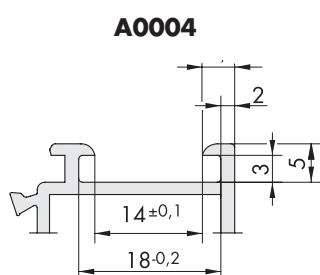
ALU accessories



Size 1 limiter with cushioning
Size 2 limiter with cushioning



Pos.	Piece	Description		Material no.		Material no.
	1	Size 1 limiter with cushioning A 0006	1	MSBR0050-100010	10	MSBR0050-100020
830	1	Size 1 cushioning				
832	1	Locking screw M4				
833	1	Top hinge block A0006				
	1	Size 1 limiter with cushioning A 0004/A0022	1	MSBR0060-100010	10	MSBR0060-100020
830	1	Size 1 cushioning				
832	1	Locking screw M4				
834	1	Top hinge block A0004/A0022				
	1	Size 2 limiter with cushioning A 0006	1	MSBR0070-100010	10	MSBR0070-100020
831	1	Size 2 cushioning				
832	1	Locking screw M4				
833	1	Top hinge block A0006				
	1	Size 2 limiter with cushioning A 0004/A0022	1	MSBR0080-100010	10	MSBR0080-100020
831	1	Size 2 cushioning				
832	1	Locking screw M4				
834	1	Top hinge block A0004/A0022				



Size range (dependent on hardware)		Windows/French door	Sash weight max.
Sash width (mm)	Size 1 limiter with cushioning KPS	≥ 470 mm ≤ 1000 mm	100 kg
Sash width (mm)	Size 1 limiter with cushioning KPW	≥ 700 mm ≤ 1000 mm	100 kg
Sash width (mm)	Size 2 limiter with cushioning	> 1000 mm ≤ 1600 mm	150 kg

Note: only use limiter with cushioning in connection with a surface-mounted hinge side

Tabel of contents

Size range.....	Page 1	Assembly instructions.....	Page 3
Important notes.....	Page 2	Warnings.....	Page 4

Assembly instructions
 H48.ZUBHLS015en

H48.ZUBHLS015en/1

Basic safety notes

Intended use

The hardware described in this document is intended to be installed in an aluminium window frame by a certified window construction specialist in accordance with these instructions.

The windows must only be installed vertically.

The certified window construction specialist must ensure that the hardware is suitable for the application based on the specifications in these instructions and in the other documents specified.

Excessive strain

Bearing components can break if they are exposed to excessive strain. If this happens, the window sash may fall out, leading to serious injuries.

If the hinge parts may be subject to excessive strain under certain conditions (use in schools, nursery schools, etc.), appropriate measures must be taken to prevent this from happening, such as using turning locks or tilt-before-turn opening types (TBT).

- If in any doubt, please contact your SIEGENIA sales consultant.

Do not mix hardware components

The hardware components are designed to work with one another. If they are mixed with hardware components from other systems or manufacturers on a window, it is not possible to guarantee that they will operate safely. Hardware components can break and cause accidents.

- Only use the hardware components listed in these instructions together on a window.

Only treat window surfaces prior to assembly of hardware

- Any surface treatment applied to the window surfaces after the assembly of the hardware components may limit their functionality.

Avoid damage caused by corrosion and debris

Corrosive materials, dirt and moisture may damage hardware components and cause hazards.

- Do **not** use acetic or acid-releasing sealants.
- Do **not** use the hardware components in environments where the air contains aggressive or corrosive components.
- Keep all rebates free of debris and dirt, especially cement and plaster residue.
- Keep the hardware dry.

Clean hardware gently

- Only clean the hardware with a soft cloth and mild, diluted pH-neutral cleaning agents.
- The hardware must not be exposed to abrasive cleaners or aggressive, acidic cleaning agents.
- Dry the hardware after cleaning.

Pass on information to the user of the window

- Attach the user information sticker to the installed window or door element so that it is easily visible.
Provide the user with the following documents:
 - Maintenance and cleaning instructions
 - Operating instructions

Exclusion of liability

- We assume no liability for malfunctions and damage to the hardware, or to the windows and French doors equipped with the hardware, where such malfunctions and damage are the result of insufficient tendering information, failure to follow these installation instructions or forceful impact (e.g. due to improper use and handling)

Limiters with cushioning - Assembly instructions

Assembly instructions

- Sash**
- ① Insert size 1/2 cushioning (**830/831**) below into the sash groove horizontally and position according to measurements (see Fig. 1).
 - ② Secure grub screws (see Fig. 2) (torque $3 + 0.5$ Nm).
- Frame**
- ③ Insert top hinge block (**833/834**) into the frame groove and position according to measurements (see Fig. 1) and clamp using grub screws without any ends protruding (see Fig. 3) (torque 1.5 ± 0.25 Nm).
- Note** : Screw in the grub screws so there are no protruding ends (see figures on page 4).
- Final assembly**
- ④ Secure connecting rod on cushioning (**830/831**) on to top hinge block (**833/834**) using locking screw M4 (**832**) (see Fig. 4) (torque $2.5 + 0.25$ Nm)

Observe positioning steps ①- ④ !

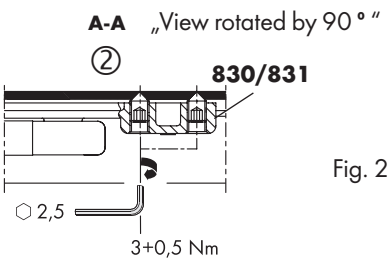


Fig. 2

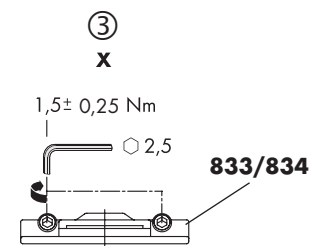


Fig. 3

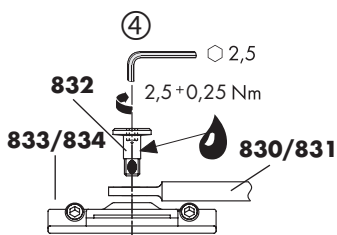


Fig. 4

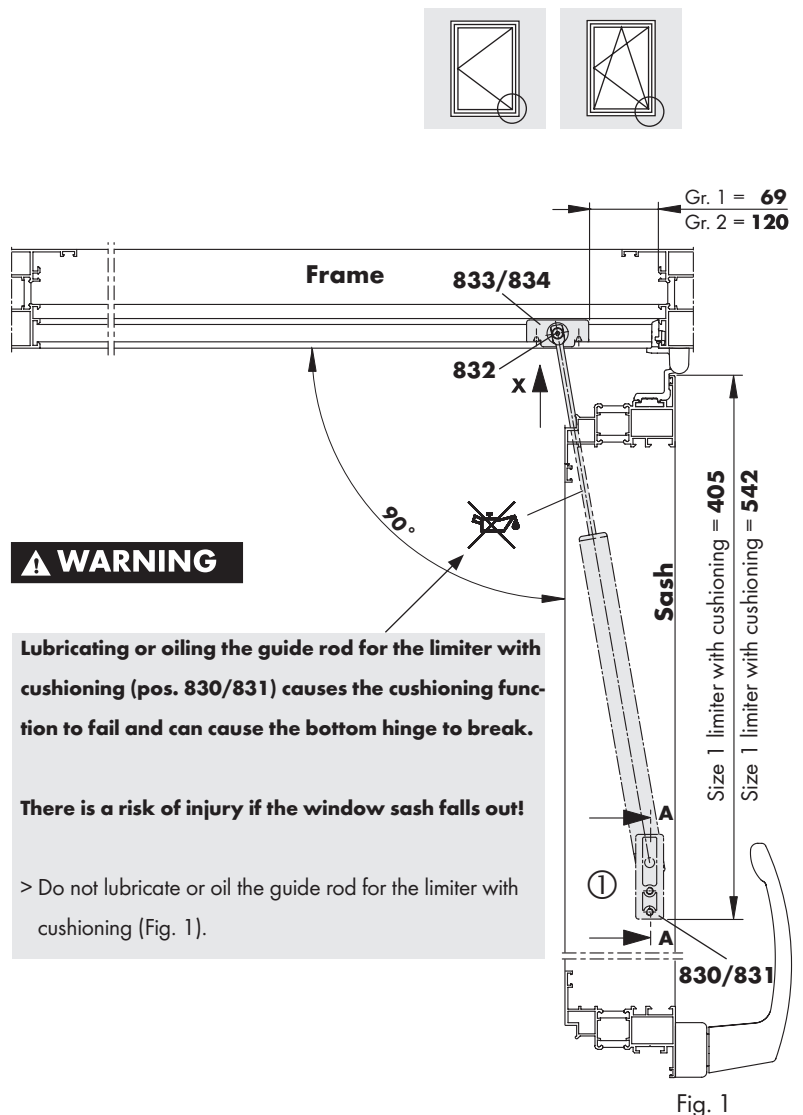
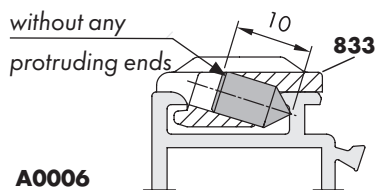


Fig. 1

Screwing the grub screws into the top hinge block (833/834)

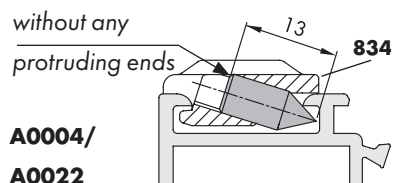


⚠ WARNING

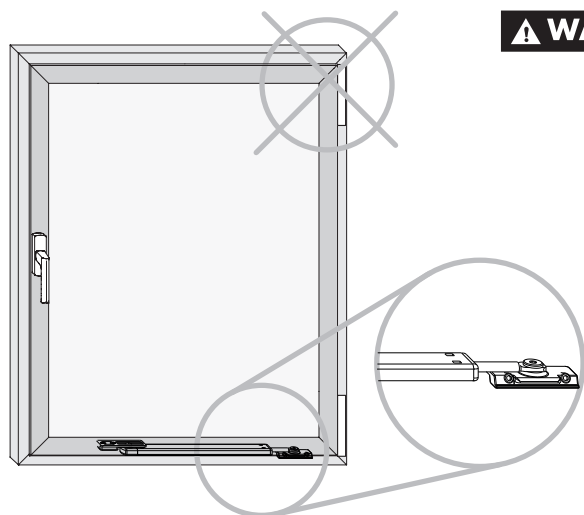
Damage to the connecting rod prevents the limiter with cushioning from functioning correctly.

There is a risk of injury if the window sash falls out!

- > Screw grub screws into the top hinge block (833/834) without any ends protruding, as shown in the figure opposite (torque 1.5 + 0.25 Nm).



Installation of the limiter with cushioning at the bottom of the hinge side (BSU)



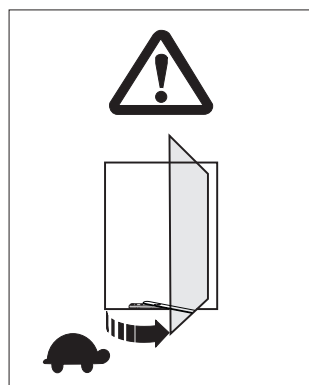
⚠ WARNING

Installation at the top of the hinge side will cause the hinge side to break.

There is a risk of injury if the window sash falls out!

- > Only install the limiter with cushioning at the bottom of the hinge side, as shown in the figure opposite.

Opening the window sash



⚠ WARNING

Risk of injury and damage to property (hinge breakage) due to the sash falling out when opened incorrectly.

- > Slowly move the sash into its end position by hand.
- > Never let sashes swing open uncontrollably.