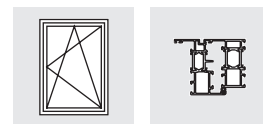
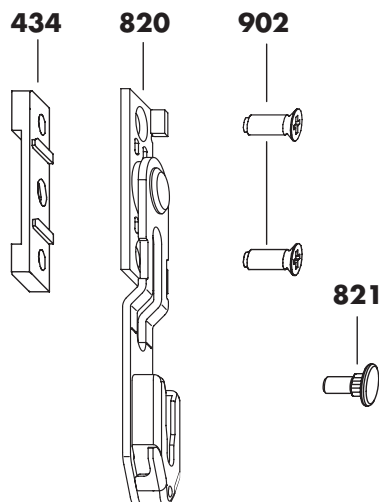




ALU accessories

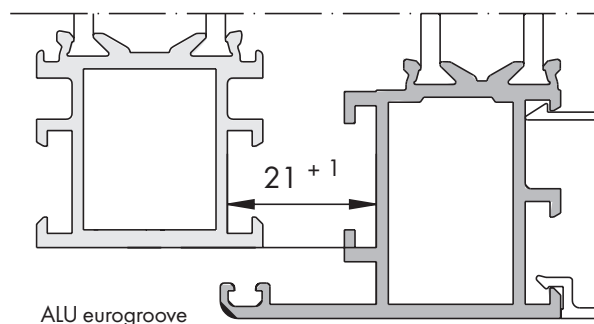
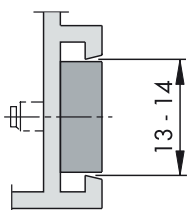


DK energy saving stay



Item	Qty	Material description		Material no.		Material no.
	1	ALU energy saving stay	1	MMES0010-100010	10	MMES0010-100020
820	1	ALU energy saving stay				
902	2	M5 x 13 countersunk screw				
821	1	Knurled bolt				
Accessories						
434	1	Packer (for A0004/A0016)	1	889220	200	303863

Frame groove
A0004/A0016
with packer (434)



ALU eurogroove

It is essential to check the planning manual on aluminium (H4006.3042EN) for further details and specifications/information regarding the product and liability (guidelines: VHBH, TBDK and VHBE).

For details of accessories for SIEGENIA ALU hardware, please refer to the information on the ALU eurogroove for aluminium profiles for windows and patio doors.

The system manufacturer's specifications should also be complied with.

Assembly instructions
 H48.ZUBHLS004en

H48.ZUBHLS004en/0

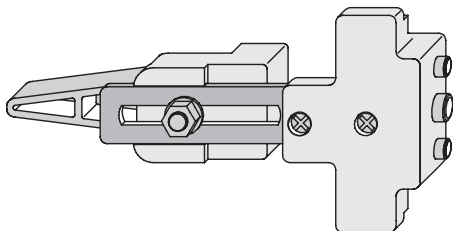
ALU energy saving stay – important information and ALU jigs

Important information

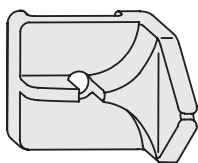
- Please observe our product information “Tilt & turn hardware for windows and patio doors”.
- The size range specifications in the applicable assembly instructions are binding for the hardware described in these assembly instructions.
- The hardware components specified in these assembly instructions are made from rust-resistant material. They may not be used in environments with aggressive, corrosive air contents.
- Your complete set of hardware should solely be composed of SIEGENIA hardware components. Otherwise damage could occur, for which we accept no liability.
- Install all hardware components properly in accordance with the assembly instructions on this page.
- Never use acetic or acid cure sealants as they can cause the hardware components to corrode.
- Window and door elements may only be surface treated before installing the hardware components. Subsequent surface treatment can impair the functionality of the hardware components. In this case, we shall assume no liability.

Disclaimer of liability

We assume no liability for loss of function and damage to the hardware, as well as the windows and patio doors that are equipped with them, resulting from inadequate tendering, failure to follow these installation instructions or from force being applied to the hardware (e.g. through improper use).



ALU EB ALU-FP jig (frame jig)



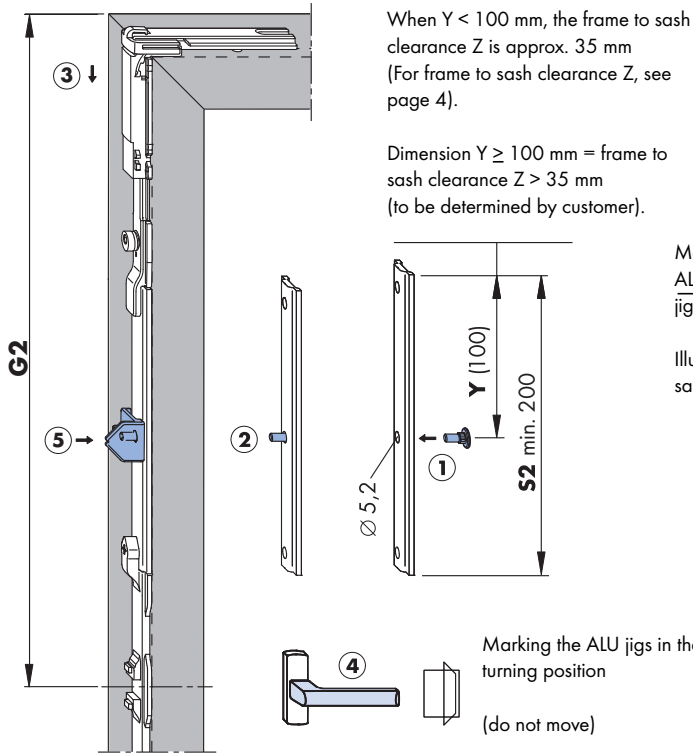
ALU SES jig (sash jig)

Material description		Material no.
ALU EB ALU-FP jig	Frame jig	158630
ALU SES jig	Sash jig	MAFT0010-023010

ALU energy saving stay Installation and function

Installation and use of the ALU jigs

Figure: VS FBS-G
Without figure: VS FBS-EUL



Attention!

Before punching the handle hole pattern, check dimension **G2** (see table)!



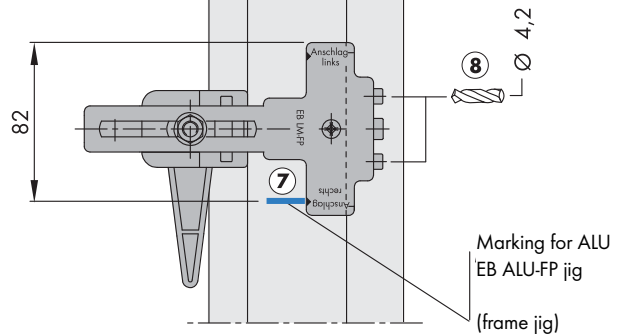
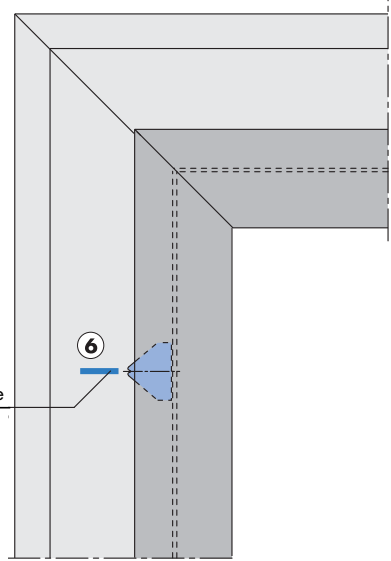
Attention!

Before punching the handle hole pattern, check dimension **G2** (see table)!

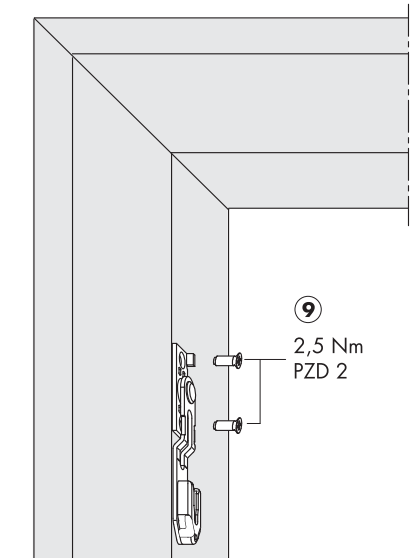
Locking sides	G2 min. min. (mm)
FBS-G	410
FBS-EUL	440

Marking for ALU EB ALU-FP jig (frame jig).

Illustrated without sash components

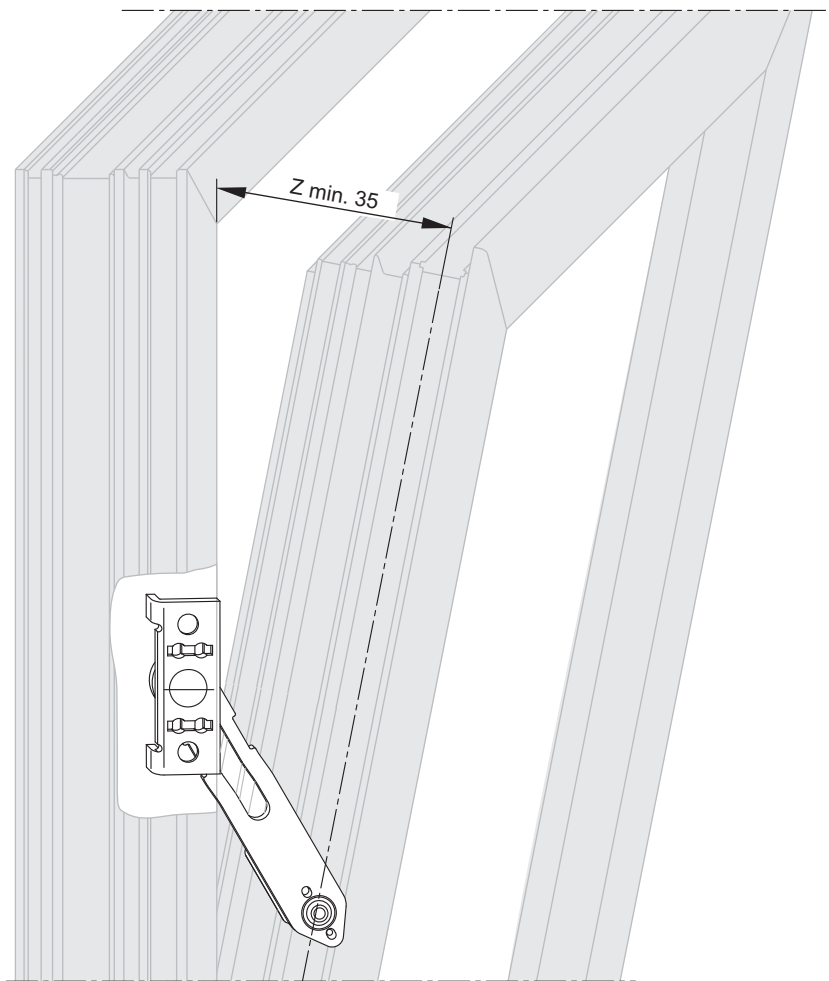


Marking for ALU EB ALU-FP jig (frame jig)



ALU energy saving stay - frame to sash clearance and deactivation

Frame to sash clearance



Deactivating the energy saving stay

- ① Lift the locking mechanism
- ② Turn the run-up piece by 180°
- ③ Snap in the locking mechanism

