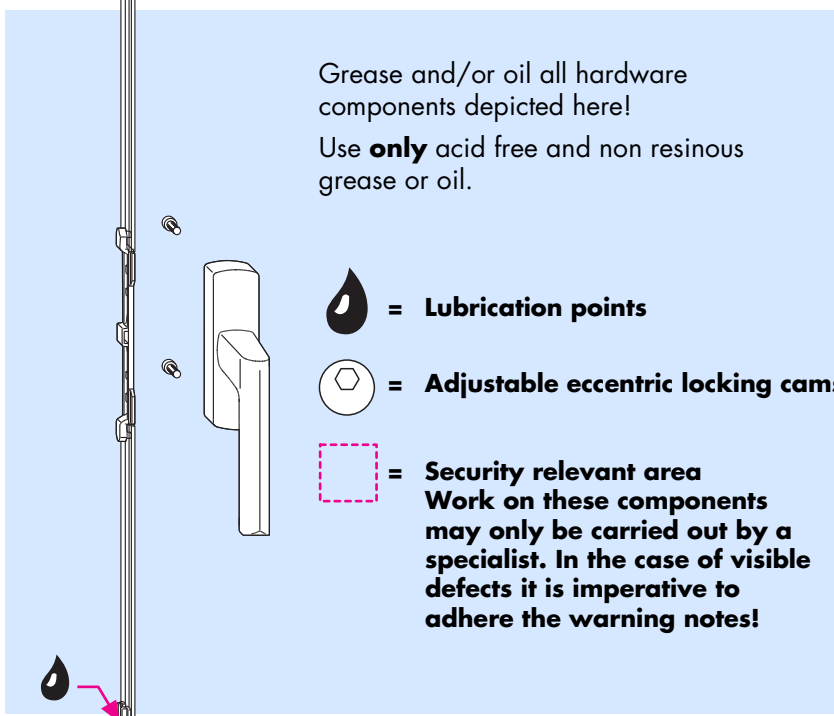


# Maintenance

## FS PORTAL-LM AL Outward opening

Grease and/or oil all hardware components depicted here!  
Use **only** acid free and non resinous grease or oil.



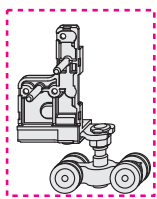
= Lubrication points



= Adjustable eccentric locking cams



= Security relevant area  
Work on these components may only be carried out by a specialist. In the case of visible defects it is imperative to adhere the warning notes!



H49. WAFS002EN/2010-06/0

EN

## Please note:

Your Fold&Slide element is equipped with high-quality SIEGENIA-AUBI hardware.

In order to ensure that it continues to function faultlessly, it is imperative to adhere to the following advice:

*Within the security relevant areas, all hardware components shall be visually checked that they are both in perfect condition and functioning perfectly.*

*Special attention shall be paid to the load-bearing points on the roller track's and guide track's rollers, ensuring that these are spotlessly clean and running smoothly.*

*If the Fold&Slide element has not been opened for a long time, it may lead to arduous operation. For this reason, do not open stiff sashes or hardware components in a jerky manner or by using force! Instead, determine the cause of the arduous operation and have it repaired.*

*Regularly lubricate the hardware components in accordance with the plan on page 1.*

*Clean the roller track and guide track regularly or if soiling requires it.*

*Close over and/or keep the Fold&Slide element closed in the event of wind or rain.*

*Spray movable hardware components in outdoor areas completely with multi-purpose oil e.g. WD40 or equivalent.*

*Clean the Fold&Slide element only with mild, pH-neutral cleaning agent in diluted form.*

*Never use aggressive, acidiferous cleaners or abrasive cleaning agents, as these could attack the corrosion protection of the hardware components.*

*No warranty can be given in the event of neglecting to have annual maintenance carried out by a specialised window company in accordance with these SIEGENIA-AUBI 'FS-PORTAL LM outward opening' maintenance instructions.*

*Order number H49.WA-FS0002EN.*

We are not liable for malfunctions and damage to hardware, as well as Fold&Slide elements equipped with the same, if:

- The installation has not been carried out in accordance with our installation instructions and the generally accepted rules of technology,
- The hardware has been impaired by forceful impact, misuse or external influences,
- Unauthorised hardware modifications have been carried out,
- Non approved hardware components from other series or other manufacturers have been used; this also applies to non approved combinations of hardware components with different surface treatments,
- The hardware has not been maintained at least once a year in accordance with our maintenance instructions,
- The end user has not been informed and adequately instructed with these maintenance instructions.

We explicitly point out that the externally located and/or rolling hardware components are to be cleaned regularly; in particular the roller track and guide track need to be kept clean for trouble-free operation.

Your specialised window company:

## Please note:



The following maintenance work in accordance with these maintenance instructions shall be carried out at least once annually by a specialised window company:

1. Grease or oil all movable hardware components and locking points (🔧). (e.g. with WD40 multi-purpose oil)  
Use **only** acid free and non resinous grease or oil.
2. Check all security relevant hardware components (🔒) for stability and wear and tear.  
The fixing screws are to be tightened if necessary and/or defective hardware components replaced. –
3. Clean the Fold&Slide element with mild, pH-neutral cleaning agent in diluted form.  
Never use aggressive, acidiferous cleaners or abrasive cleaning agents, as these could attack the corrosion protection of the hardware components.  
– In addition we recommend the following preventive measure for the preservation of the surface finish:  
Treat the hardware surface after cleaning with silicone and acid-free multi-purpose oil, e.g. WD40 or equivalent.

### **Attention, risk of injury in the event of malfunction!**

Do not continue to operate the Fold&Slide element, but rather secure it and have a specialised window company repair it immediately; the following work may also only be carried out by a specialised window company:

- Replacing hardware components
- Hinging and unhinging Fold&Slide sashes
- All hardware adjustment work

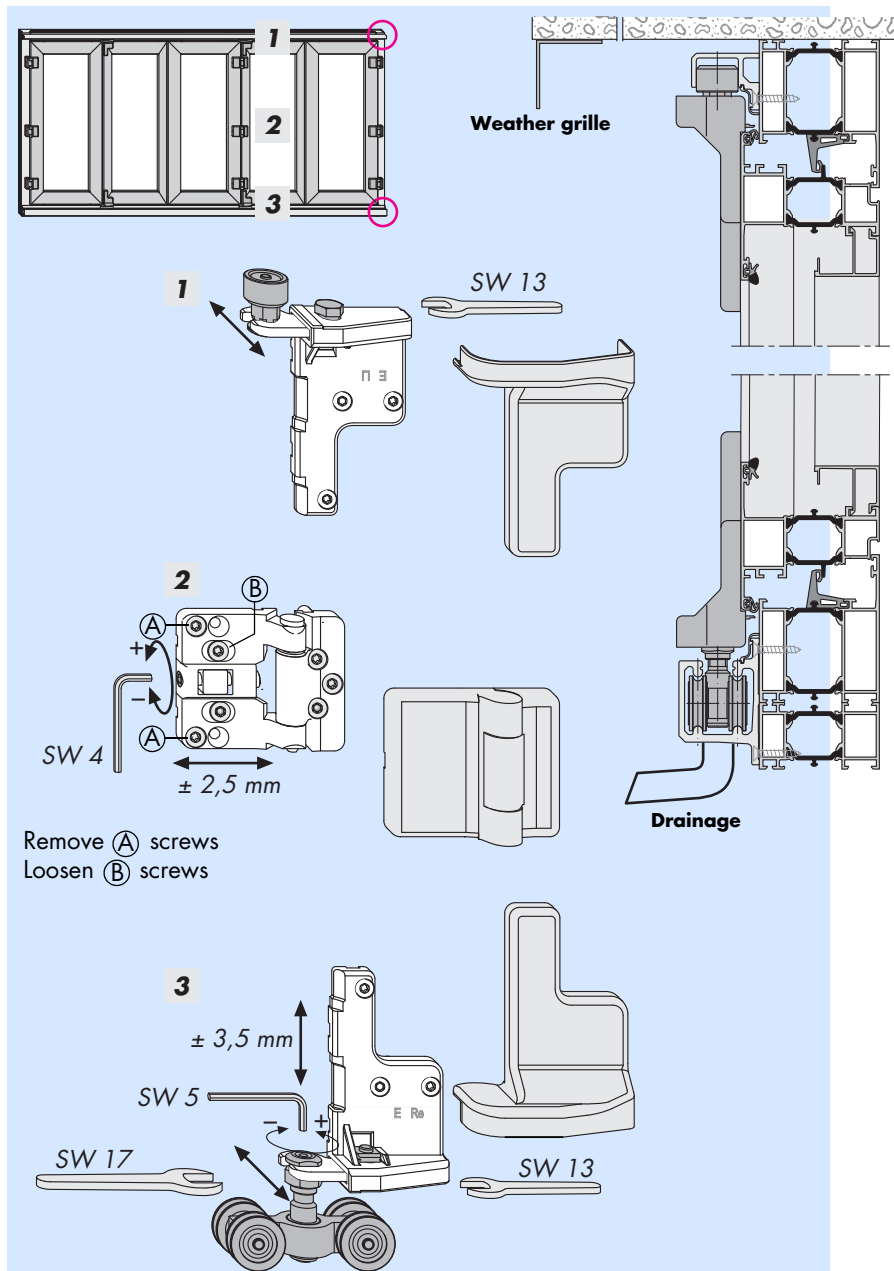
No acetic-acid or cross-linked acidic sealing compounds or those with the above mentioned contents may be used on the Fold&Slide element or in its immediate vicinity. Direct contact with the sealing compound as well as its vaporisation can attack the hardware's surface treatment.

When coating – for example when painting or varnishing the Fold&Slide elements – all hardware components are to be excluded from this process and is also to be protected against any impurities.

These maintenance instructions also apply correspondingly to hardware components and Fold&Slide elements that have not been specifically described here.

# Adjustment possibilities

The following adjustments may **only** be carried out by a specialised window company:



Remove (A) screws  
Loosen (B) screws