

ALU

Operating instructions:

ALU axxent PLUS, ALU 2200, ALU 5100, ALU 5200, ALU-DK/TBT200, ALU-D300,
AU RB/SF

Window systems

Door systems

Comfort systems

Content

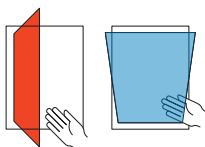
1	SAFETY NOTES	3
1.1	Risk of injury from falling out of open windows.	
1.2	Parts of the body may get caught, resulting in injury.	
1.3	Risk of injury and material damage due to pressing the sash against the edge of the opening.	
1.4	Risk of injury and material damage due to placing objects between the sash and frame.	
1.5	Risk of injury and material damage due to additional load on the sash.	
1.6	Risk of injury from wind.	
2	OPERATION - TURN AND TILT	4
3	RECTIFYING OPERATING PROBLEMS	5
4	OPERATION - TILT-BEFORE-TURN (TBT)	6
5	OPERATION - TILT	7
6	OPERATION - TILT	8

1 Safety notes



1.1 Risk of injury from falling out of open windows

- Use only stable stepladders
- Secure yourself from falling out of the window.
- Do not hold onto open window sashes.



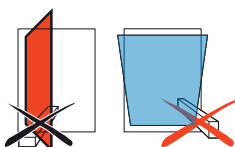
1.2 Parts of the body may get caught, resulting in injury

- When closing windows or patio doors, never place your hand in the opening between the sash and the frame.



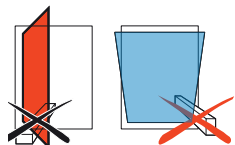
1.3 Risk of injury and material damage due to pressing the sash against the edge of the opening

- Do not push the sash against the edge of the opening (window reveal).



1.4 Risk of injury and material damage due to placing objects between the sash and frame

- Do not place objects in the opening between the sash and the frame.



1.5 Risk of injury and material damage due to additional load on the sash

- Do not subject the sash to additional loads.



1.6 Risk of injury from wind

- Do not allow open sashes to be blown around by the wind.
- Make sure to close and lock windows if it is windy or if there is a draught.

WARNING

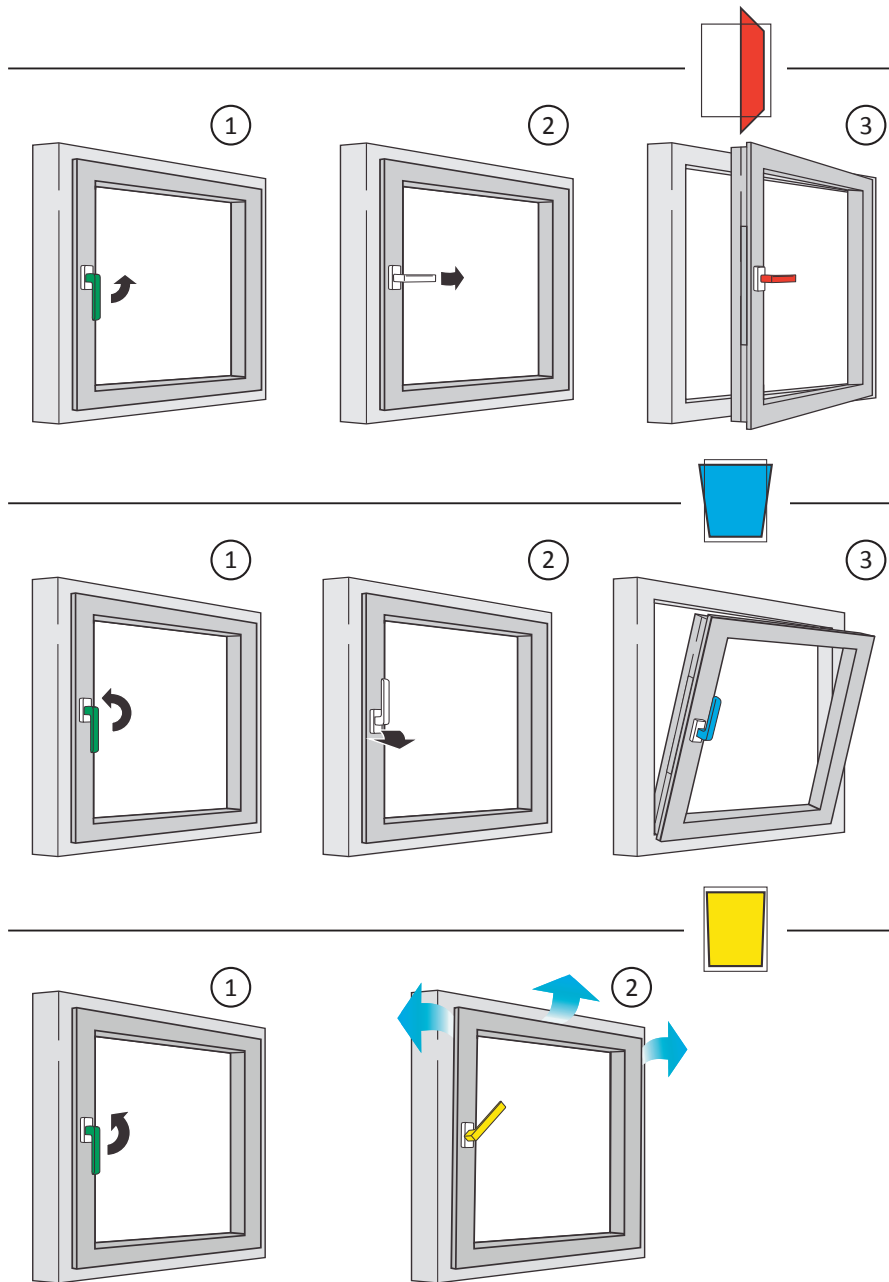
Risk of injury in case of window element functional disorder

- Do not continue to use the window in case of functional disorder.
- Secure the window and have it repaired by a **qualified technician** as soon as possible.

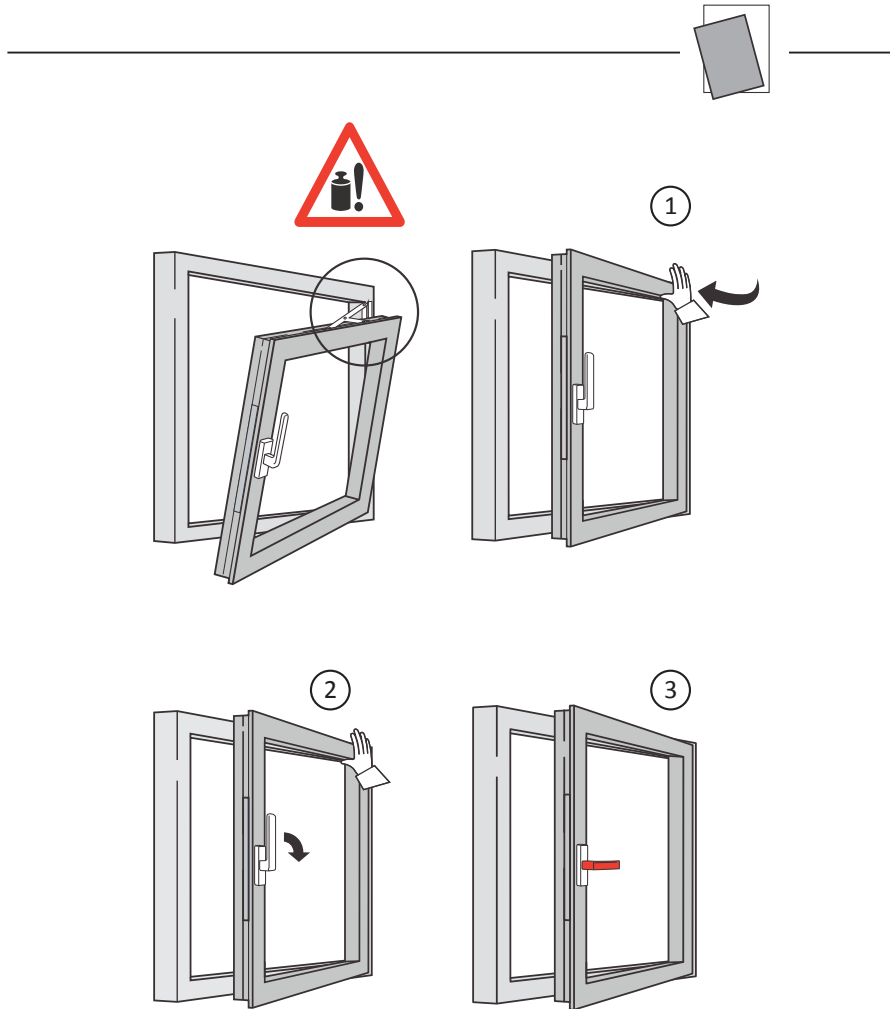


This symbol indicates special features and designates facts that require increased attention.

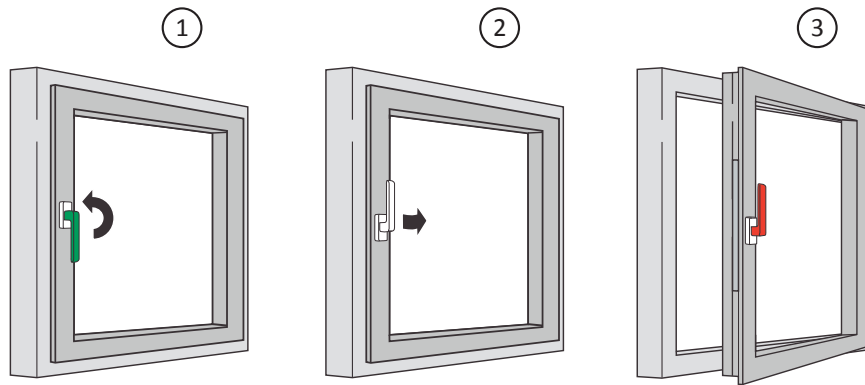
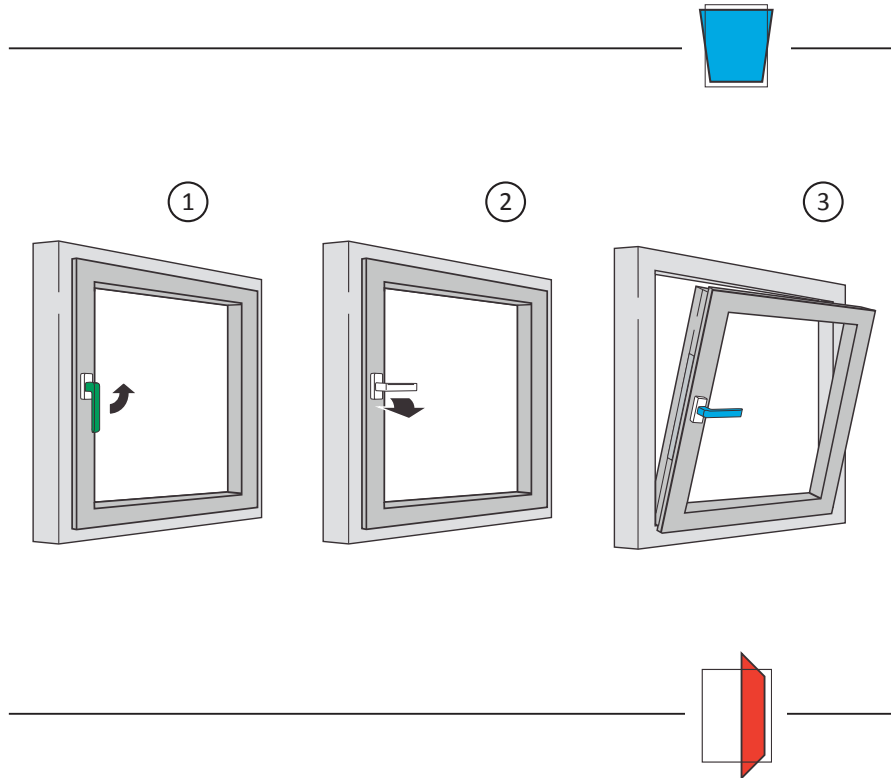
2 Operation - turn and tilt



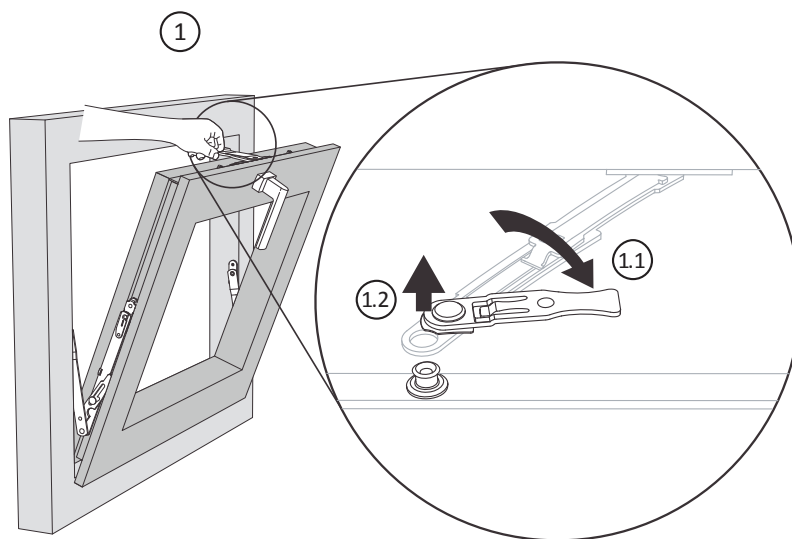
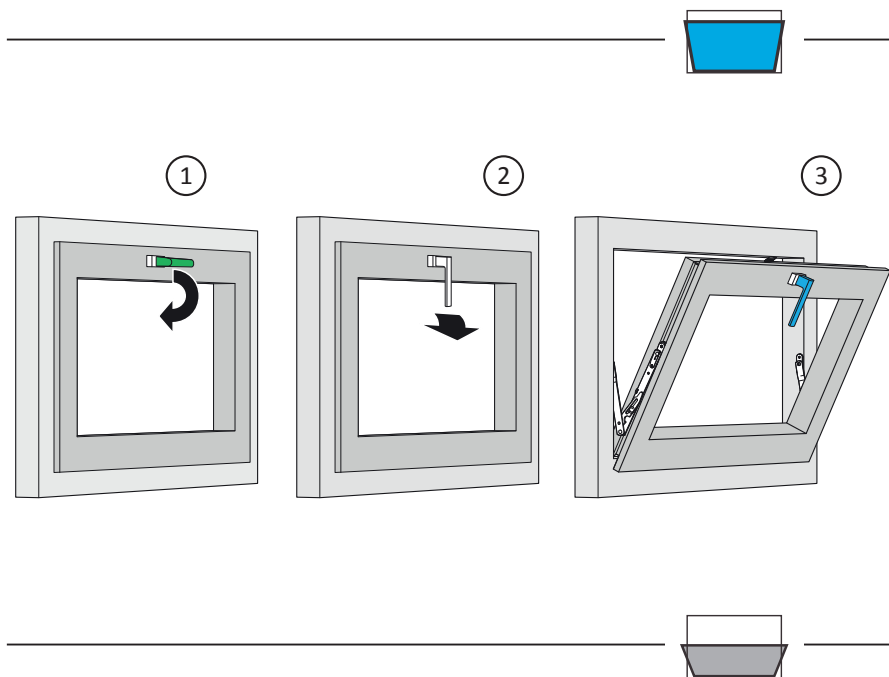
3 Rectifying operating problems



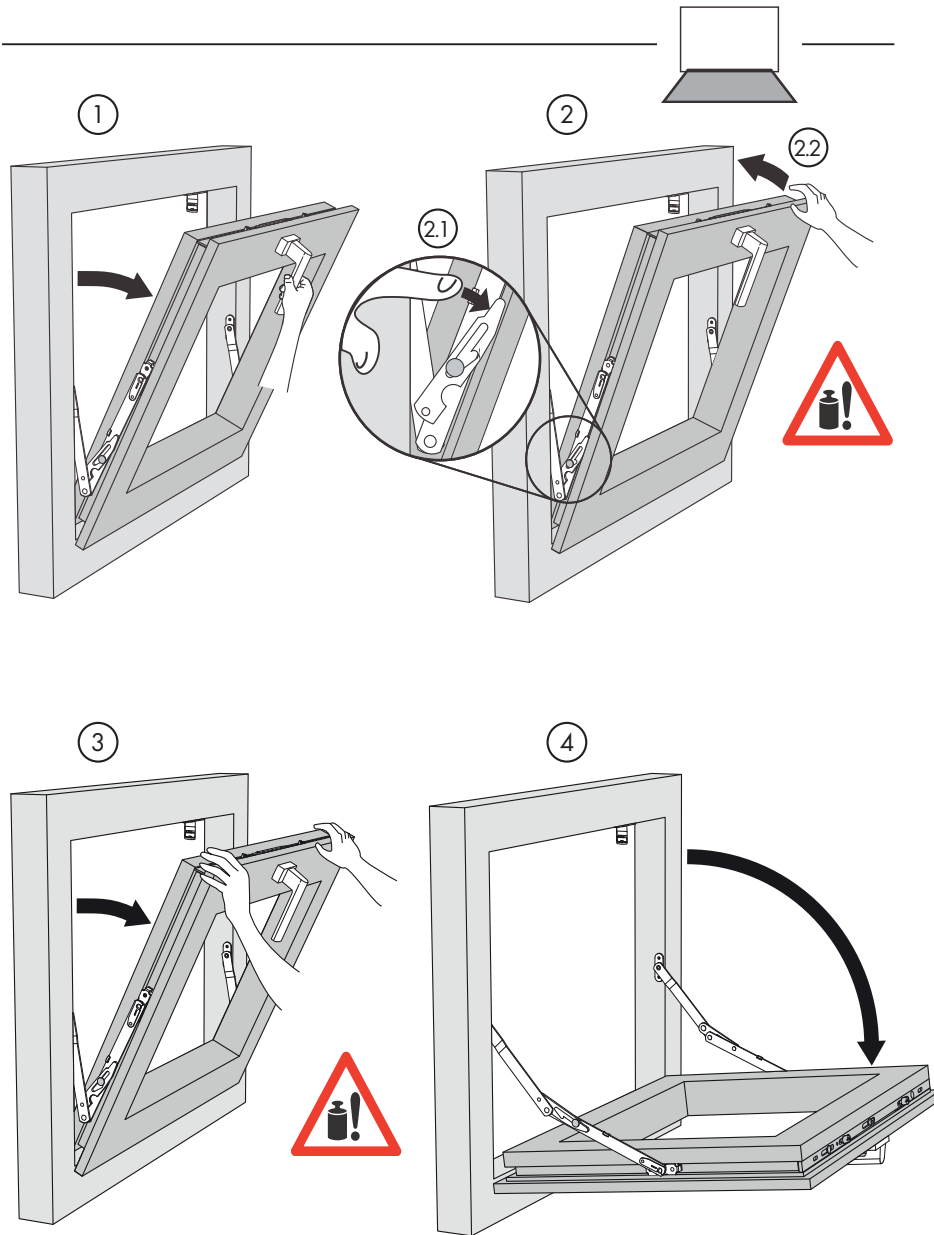
4 Operation - tilt-before-turn (TBT)



5 Operation - tilt only



6 Operation - tilt



www.siegenia.com



SIEGENIA[®]
brings spaces to life