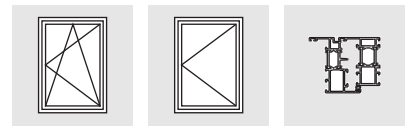


ALU Accessories

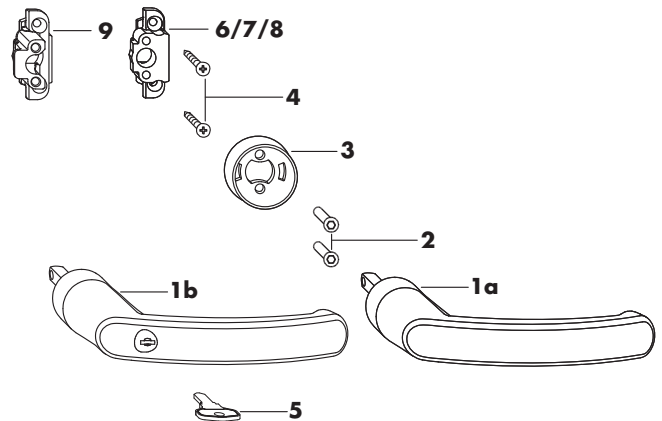
Handle Globe RR

Handle Globe RR lockable/TBT



Always check the planning manual on aluminium (H4006.3042EN) for further details and specifications/information regarding the product and liability (guidelines: VHBH, TBDK and VHBE).

All dimensions given are final dimensions after the surface of the sections has been treated (painted, powder coated etc.).



Technical specifications and colours are subject to change

Item	Quantity (smallest packing unit)	Description		Material no.		Material no.	
•		Handle Globe RR	Silver	1	MHGS0020-52501_	10	MHGS0020-52502_
			White RAL 9016	1	MHGS0020-50401_	10	MHGS0020-50402_
			Black RAL 9005	1	MHGS0020-52301_	10	MHGS0020-52302_
			ESLG	1	MHGS0020-80001_	10	MHGS0020-80002_
			Mill finish	1	MHGS0020-50001_	10	MHGS0020-50002_
•		Handle Globe RR ABS.	Silver	1	MHGA0020-52501_	10	MHGA0020-52502_
			White RAL9016	1	MHGA0020-50401_	10	MHGA0020-50402_
			Black RAL 9005	1	MHGA0020-52301_	10	MHGA0020-52302_
			ESLG	1	MHGA0020-80001_	10	MHGA0020-80002_
			Mill finish	1	MHGA0020-50001_	10	MHGA0020-50002_
1a	1	-	Handle RR				
1b	-	1	Handle RR lockable/TBT				
2	2	2	Cheese head screw				
3	1	1	Rose RR				
4	2	2	Countersunk tapping screw PH 3.9 x 13				
5	+	1	Key 2 W 145				

Hardware depending on profile

	0...1	0...1	Accessories Handle Globe RR USH-8 MM	(see page 2)	10	MZHG0010-10002_	50	MZHG0010-10005_
6	1	1	Adapter 8 mm					
	0...1	0...1	Accessories Handle Globe RR USH-9 MM	(see page 2)	10	MZHG0020-10002_	50	MZHG0020-10005_
7	1	1	Adapter 9 mm					
	0...1	0...1	Accessories Handle Globe RR USH10 MM	(see page 2)	10	MZHG0030-10002_	50	MZHG0030-10005_
8	1	1	Adapter 10 mm					
	0...1	0...1	Accessories Handle Globe RR USH12 MM	(see page 2)	10	MZHG0040-10002_	50	MZHG0040-10005_
9	1	1	Adapter 12 mm					

Essential Hardware

	0...1	0...1	Gear set FBS M6 Trial/RR	(without illustration)	1	MMGI0080-10001_	20	MMGI0080-10003_
	0...1	0...1	Gear set M6 Trial/RR	(without illustration)	1	MMGI0090-10001_	20	MMGI0090-10003_
Jig	-	-	Disassembly device Handle RR	(see page 3)	1	MAEW0040-00001_	10	MAEW0040-00002_

Contents

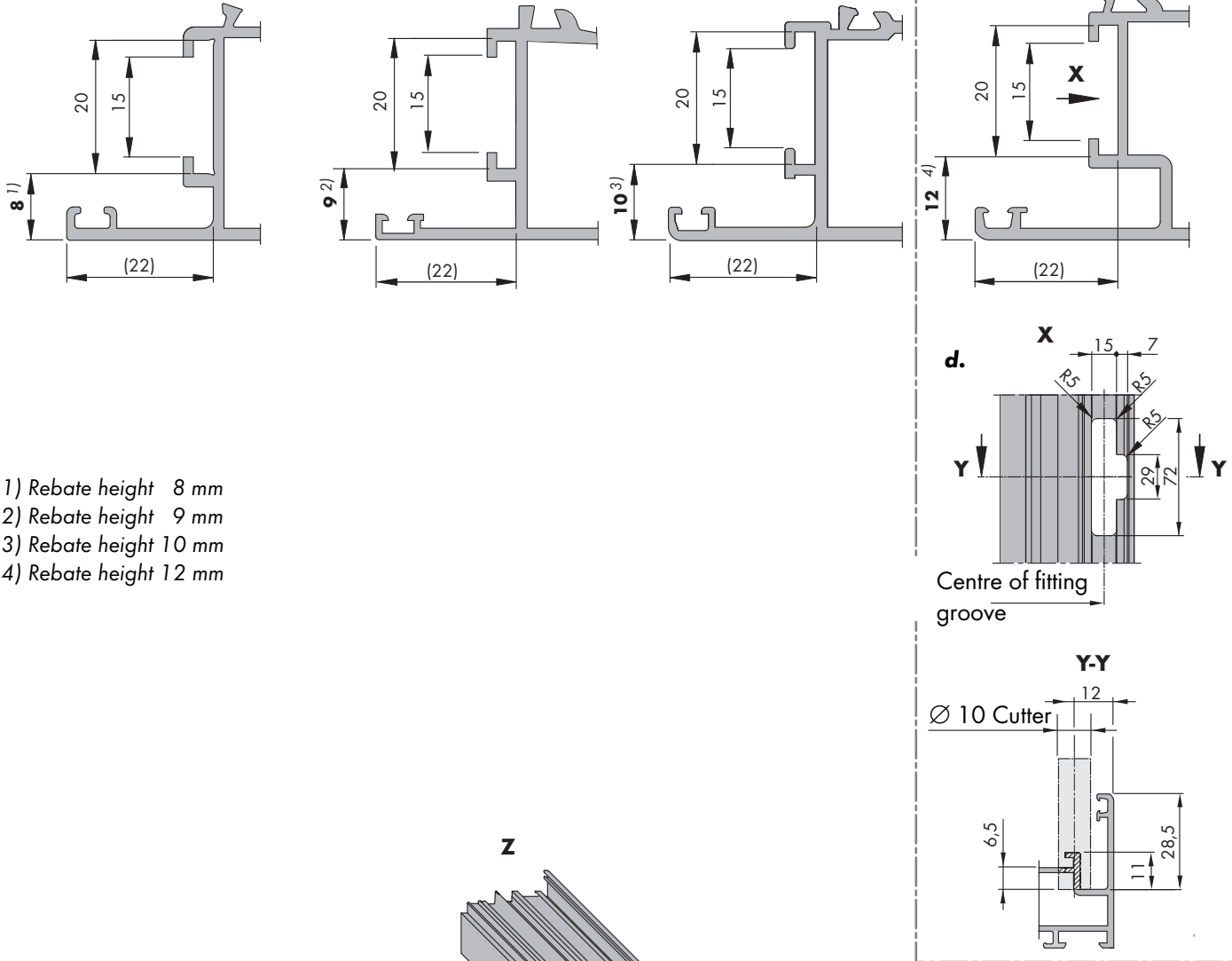
Layout of fittings, part list.....	Page 1
Sash and frame details.....	Page 2
Installation procedure.....	Page 3
Information on TBT function.....	Page 4

Assembly instructions
H48.ZUBHLS006en

H48.ZUBHLS006en/2

Handle Globe RR / Handle Globe RR lockable /TBT - Sash and frame details

Section suggestion for rebate heights 8, 9, 10 and 12 mm.



- 1) Rebate height 8 mm
- 2) Rebate height 9 mm
- 3) Rebate height 10 mm
- 4) Rebate height 12 mm

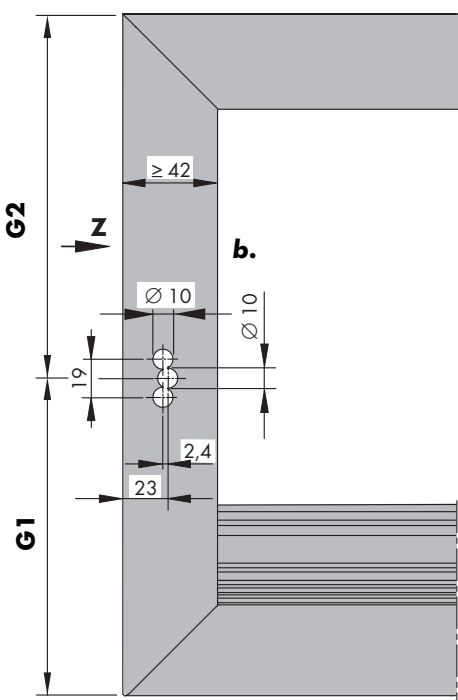


Figure 1

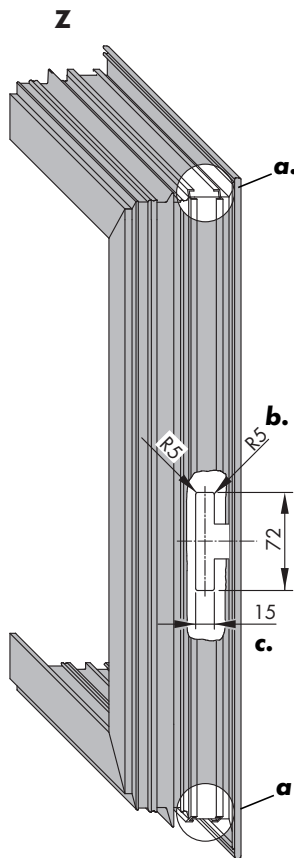


Figure 2

Sash preparation

- a.** Open operating rod guiding groove (Figure 2).
- b.** Perform section processing for handle Globe RR (Figures 1+2).
- c.** Processing for rebate heights 8 mm, 9 mm and 10 mm (Figure 2).
- d.** Processing for rebate height 12 mm (see view X).
- e.** Processing of operating rods S1 and S2 (see assembly instructions on page 1).

Note: A sash width of ≥ 42 mm is required to install the Globe RR handle and the RR Globe lockable handle.

Handle Globe RR / Handle Globe RR lockable – Installation procedure

Installation

a. Position adapter (6/7) on ESG LM M6/ESG LM FBS M6 (Figure 1).

b. Secure adapter (6/7) to ESG LM M6/ESG LM FBS M6 using countersunk tapping screws B3.9 x 13 (PZ 2, torque 2.5 Nm ± 0.25 Nm) (Figure 1).

c. Insert ESG LM M6/ESG LM FBS M6 into processed section 72 x 15 (Figure 2).

d. Insert operating rod S1 on the VSU and operating rod S2 on the VSO into the guiding canal (Figure 3).

e. Screw ESG LM M6/ESG LM FBS M6 in the operating rod punch hole Ø 5.2 using coupling screw M6 (PZ 2, torque 2.75 Nm ± 0.25 Nm) (Figure 2).

f. Position rose (3) on the notch in the sash section as shown and tighten using cheese head screw M5 x 19 (2) (key dimension 2.5), torque 2.5 ± 0.25 Nm) (Figure 4).

g. Place handle RR/handle RR lockable (1) on the rose as shown. Ensure that the square spindle locks into place when inserted (Figure 5).

h. Check that handle RR/handle RR lockable (1) is secure (Figure 6).

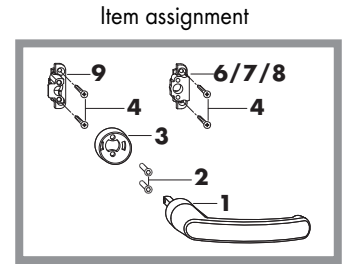
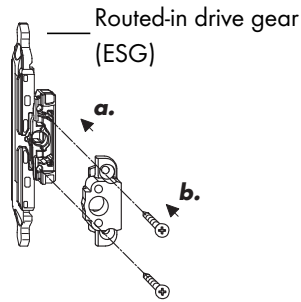


Figure 1

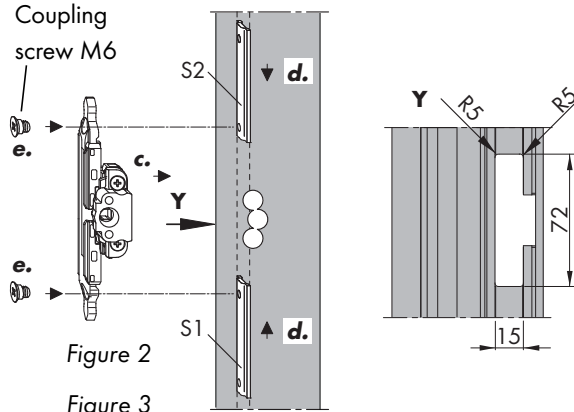


Figure 2

Figure 3

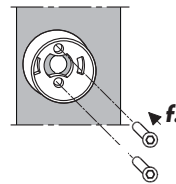


Figure 4

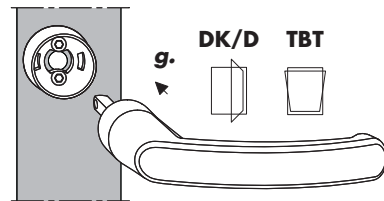


Figure 5

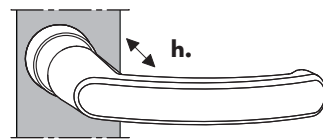


Figure 6

Disassembly

i. Insert the disassembly pin into the designated opening in ESG LM M6/ ESG LM FBS M6 as shown (Figure 7).

j. Remove handle RR/handle RR lockable (1) as shown (Figure 7).

k. Remove disassembly pin (Figure 7).

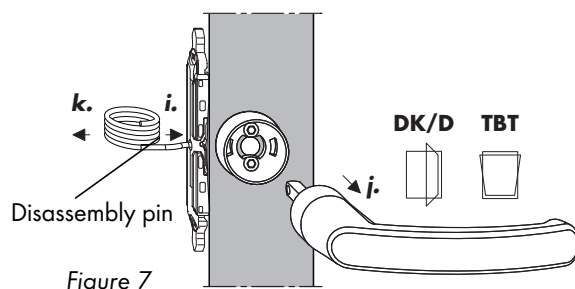
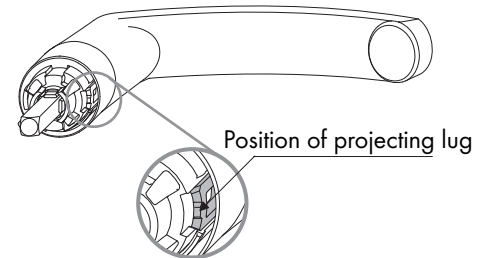


Figure 7

Handle Globe RR lockable/TBT - Information on TBT function

Condition of despatch:

Usage: -DK/-D right
-DK/-D left
-TBT right

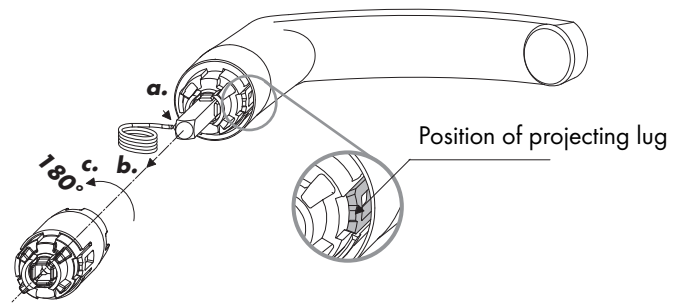


Modification to:

Usage: -TBT left

Disassembly

- a. Insert the spring ball into the square spindle using the disassembly tool as shown in the figure opposite.
- b. Pull cylindrical insert off over the square spindle.
- c. Rotate cylinder by 180°.
- d. Position of projecting lug.



Installation

- e. Slide the cylinder onto the square spindle as shown in the figure opposite.
- f. Handle RR lockable./TBT can now be used for TBT left application.

